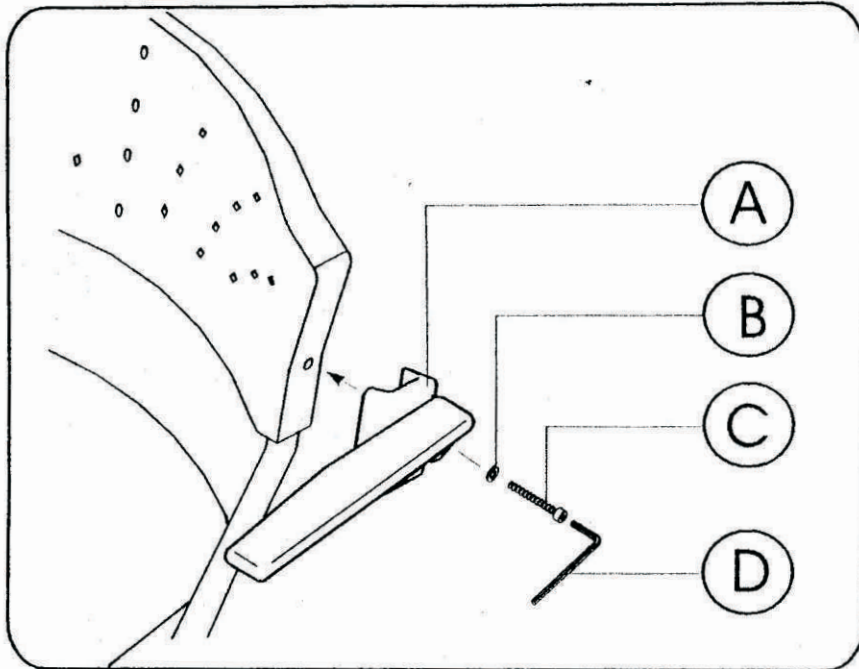


Assembly Instruction : model - VARION 2 G07\*FDA27H4



Parts List

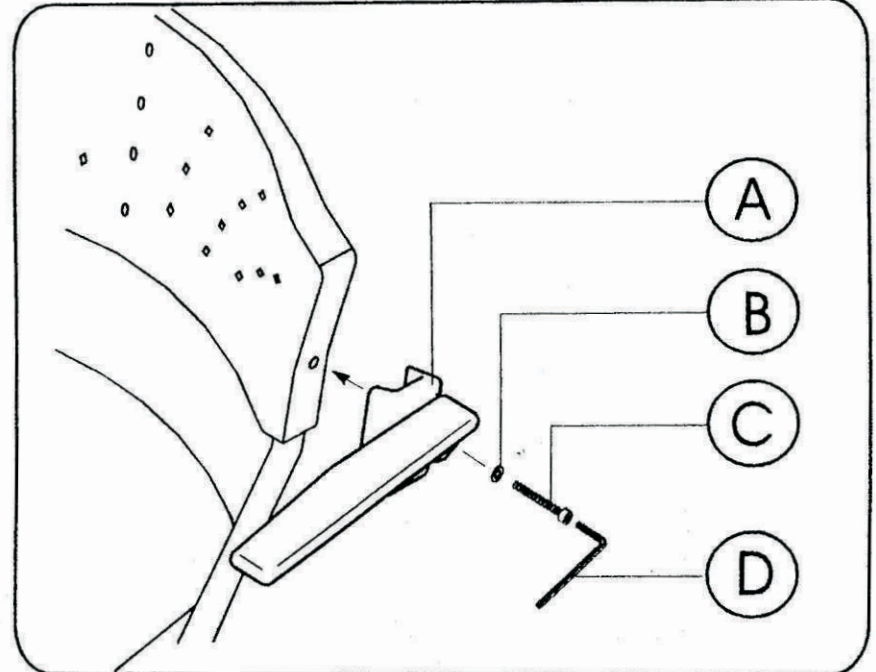
- (A) Armrest
- (B) Flat Washer
- (C) M6 Allen Cap Screw
- (D) Allen Key



Assembly Instruction

1. Slot in the armrest (A) onto the side of the backrest
2. Tighten the armrest with the screw (C) and the flat washer (B) by the allen key (D)

Assembly Instruction : model - VARION 2 G07\*FDA27H4



Parts List

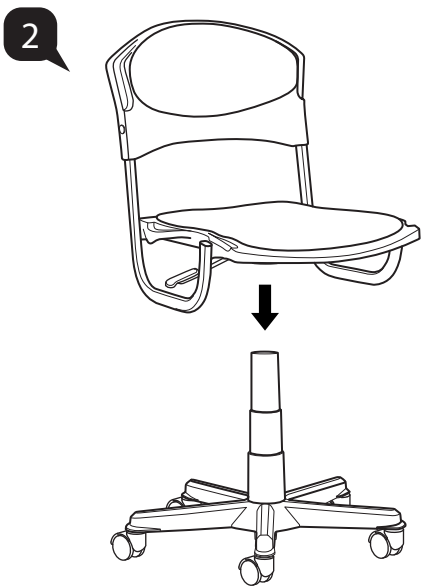
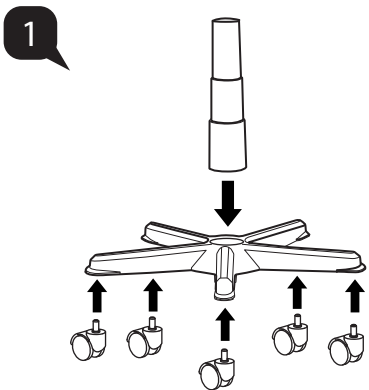
- (A) Armrest
- (B) Flat Washer
- (C) M6 Allen Cap Screw
- (D) Allen Key



Assembly Instruction

1. Slot in the armrest (A) onto the side of the backrest
2. Tighten the armrest with the screw (C) and the flat washer (B) by the allen key (D)

# Assembly Instruction



# User Instruction

- A** *Seat Height Adjustable*  
Flip up lever on right-side to raise or lower seat. Adjust such that your feet are adequately supported on floor.



# Varion

model: G02\* HB A00 F

