

MERRYFAIR®



TUNE

Seating Products

Seating Excellence at Work

Tune, a multifunctional office chair with extreme looks and the ability to stand up to today's dynamic corporate life.



TUNE features a cooling mesh back to control body heat buildup.

Headrest

A sleek height adjustable headrest with free-tilting support.

Lumbar Support Pad

Lumbar support can be conveniently adjusted by side knobs, without getting up from chair, to customize the exact support for various spinal shapes. Moveable range: 20mm.

Chair Mechanism

Standard YM synchronized mechanism features 3-position tilt lock, pneumatic seat height and auto weight-sensing tilt tension.

Seat is adjustable for 100mm height range. Diecast aluminum alloy and steel material (100% recyclable) in black colour.



Backrest

A breathable polyester mesh suspension allows for improved ventilation, to provide exceptional thermal comfort. The height of the backframe can be easily adjusted by lifting the frame to the desired position. Adjustable range: 105mm

Armrest

3-way adjustable armrest. The height of the armrest can be easily adjusted by just lifting the armrests to suit the user's desk or body type. The armpad can be moved forward or backward. It also swivels into 3 angular positions, allowing the user to rest their arms easily.

Base

Standard base is moulded of polypropylene in black colour. 50mm dual-wheels castor of moulded polyamide (Nylon).



Height Adjustable Headrest



Tilting Headrest
Free-tilting headrest



Pneumatic Seat
Height Adjustment



Sliding Seat



Height Adjustable Backrest



Height Adjustable Armrest



Synchronized Mechanism



Depth Adjustable Lumbar



Tilting Backrest
Free-tilting backrest



Depth-Angle Adjustable Armpad
2-way adjustable armpad

Comfort

TUNE has height adjustable back and adjustable lumbar pressure to ensure precise support for every spinal curve.

Flexibility

TUNE provides superior ergonomics for 90% of the population, from user size in between 150cm to 185cm.

Meet the Standard

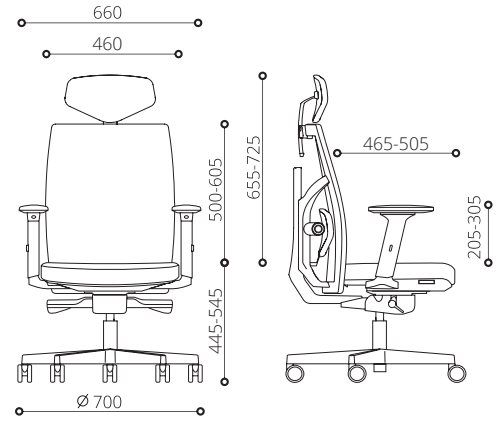
TUNE is designed to meet ANSI/BIFMA X5.1 durability and chair dimension standards.



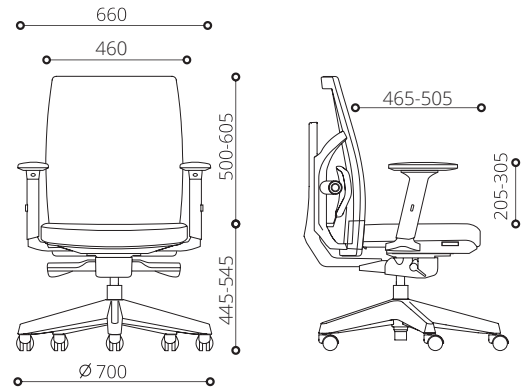
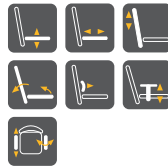




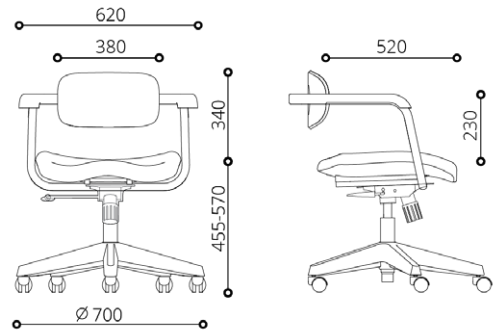
High-back
139 YM A78 N2



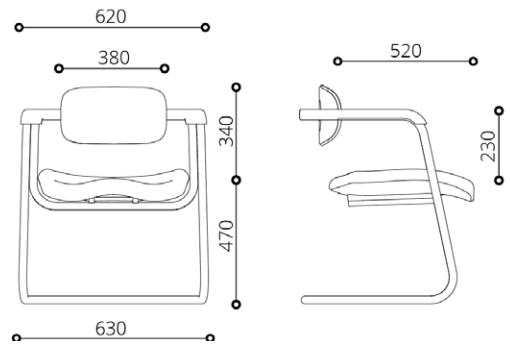
Mid-back
138 YM A78 N2



Low-back
096 SH B30 N2



Visitor Chair
091 NA B30 B







Tune: Options
Armrest



3-Way Adjustable Armrest
(A78)



Fixed Armrest
(A15)



350 Studio Base
(Black)
(N2)



Aluminium Base
(NG)

Tune: Features

Headrest



Free-tilting Headrest
(For model 139 only)



Height Adjustable Headrest
(For model 139 only)

Armrest



Height Adjustable
Armrest
(A78)



Angle Adjustable
Armrest
(A78)



Depth Adjustable
Armrest
(A78)

Seat



Depth Adjustable Seat

Lumbar Support



Depth Adjustable
Lumbar

Mechanism



Synchronized Mechanism Features
3-Position Tilt Lock, Pneumatic Seat Height
and Auto Weight-Sensing Tilt Tension
(YM)

HEAD OFFICE & FACTORY

www.merryfair.com

Merryfair Chair System Sdn Bhd

(Co. No. 86276-A)
No.2, Jalan Koporat 1/KU9,
Taman Perindustrian Meru,
42200 Klang, Selangor D.E., Malaysia.

International Sales & Marketing

Tel. +603 3393 2888
Fax. +603 3393 2000
enquiry@merryfair.com

Domestic Sales & Marketing

Tel. +603 3393 6868
Fax. +603 3393 6888
domestic@merryfair.com

SHOWROOM OFFICE

Merryfair Marketing Sdn Bhd

(Co. No. 665054-V)
No. 82-84, Jalan 2/23A,
Jalan Genting Kelang,
53300 Kuala Lumpur, Malaysia.
Tel. +603 4149 8899
Fax. +603 4143 0113

REGIONAL OFFICE & SHOWROOM

美力菲 (中国) 家具有限公司

广东省佛山市顺德区容桂华口顺德高新区(容桂)华天路21号
邮编: 528306
Merryfair (China) Co.,Ltd
No. 21, Huatian Road, Shunde High Tech Industrial Zone
(Ronggui), Huakou Community, Ronggui Subdistrict,
Shunde District, Foshan City, Guangdong, China 528306.
Tel. +86 757 2636 9861
Fax. +86 757 2881 9700
domestic@merryfair.com.cn

Merryfair (Singapore) Pte Ltd

33 Ubi Avenue 3, #01-52/53 Vertex,
Singapore 408868.
Tel. +65 6284 9098
Fax. +65 6284 9028
enquiry@merryfair.com.sg

Merryfair (Thailand) Co.,Ltd.

19/1-2 Sithakarn, Soi Chidlom
Lumpini, Pathumwan
Bangkok 10330 Thailand
Tel : +66 2254 1588
Fax : +66 2254 1585
sales@merryfair.co.th

MERRYFAIR reserves the right to introduce modifications and withdraw models for continuous improvements without prior notice.

