

Stadium Chair - Sporta 1085 wall mounting Instruction

MERRYFAIR [®]

- 1** Hold the chair at the desired position.
- 2** Use the 2 bracket holes as a template, use power drills to drill the holes on the wall. (Diameter of the hole depends on the wall fixing anchor.)
- 3** Fix the chair to the wall by using:-

Proposed to use:



concrete wall :

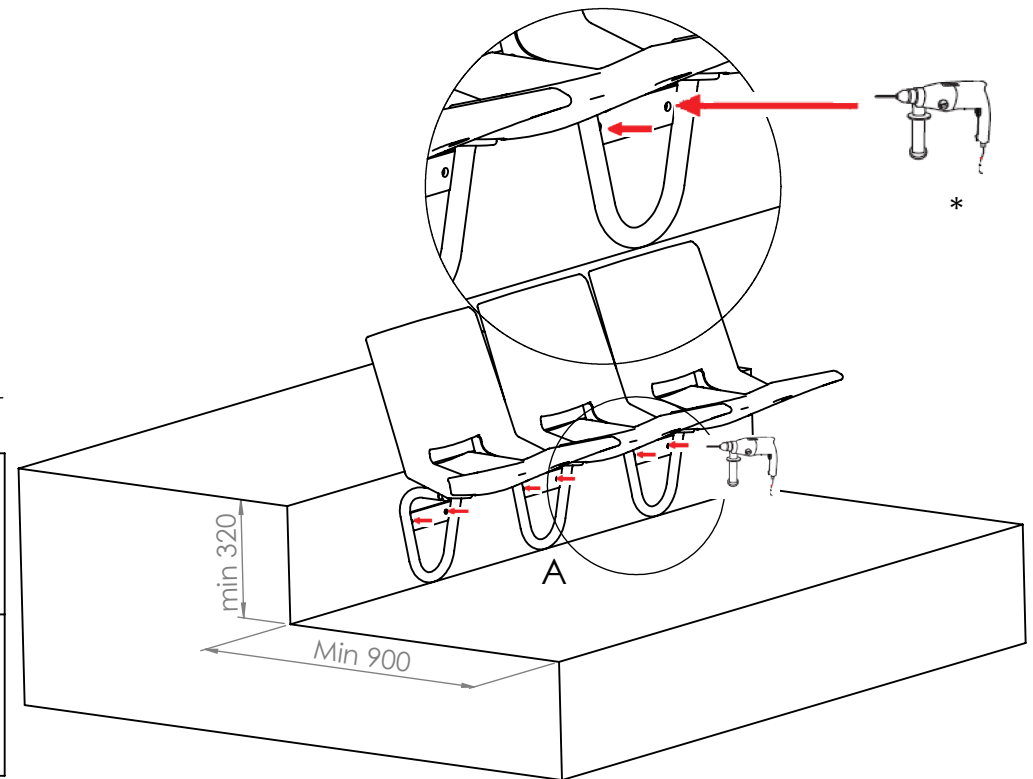
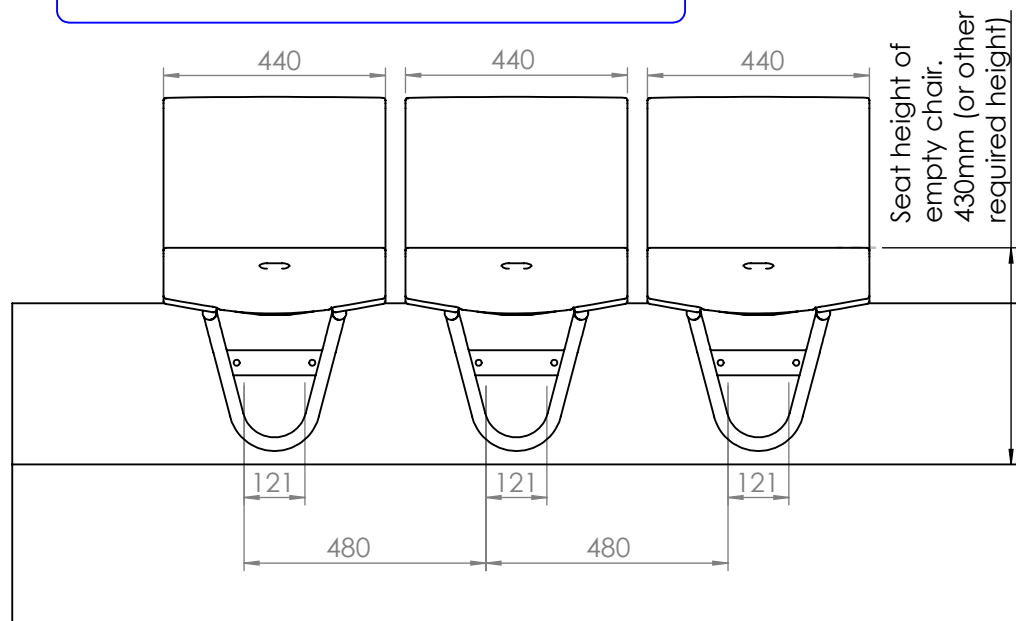
- * M10 Shield Anchor Bolt
- * (10 x 27 x 3mm) Flat Washer

*Establish desired seat height (Standard is 430mm)

*Keep in mind actual seat height will vary based on user weight .

Approx Range .	
User Weight (KG)	Front Edge Height (mm) when Loaded
0	430
60	410 (-20)
80	400 (-30)
100	395 (-35)

*After installing first seat use laser guide to install subsequent chairs. This will help prevent inconsistent seat height due to site imperfections such as undulating floor or uneven walls.



* NOT INCLUDED

Stadium Chair – Sporta 1085 Floor mounting Instruction

MERRYFAIR®

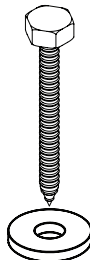
- 1 Put the chair at the desired position.
- 2 Use the chair as a template, use power drills to drill the holes on the floor. (Diameter of the holes depends on the screw that use to fix to the floor)

- 3 Fix the chair to the floor by using:-

Proposed to use:



or

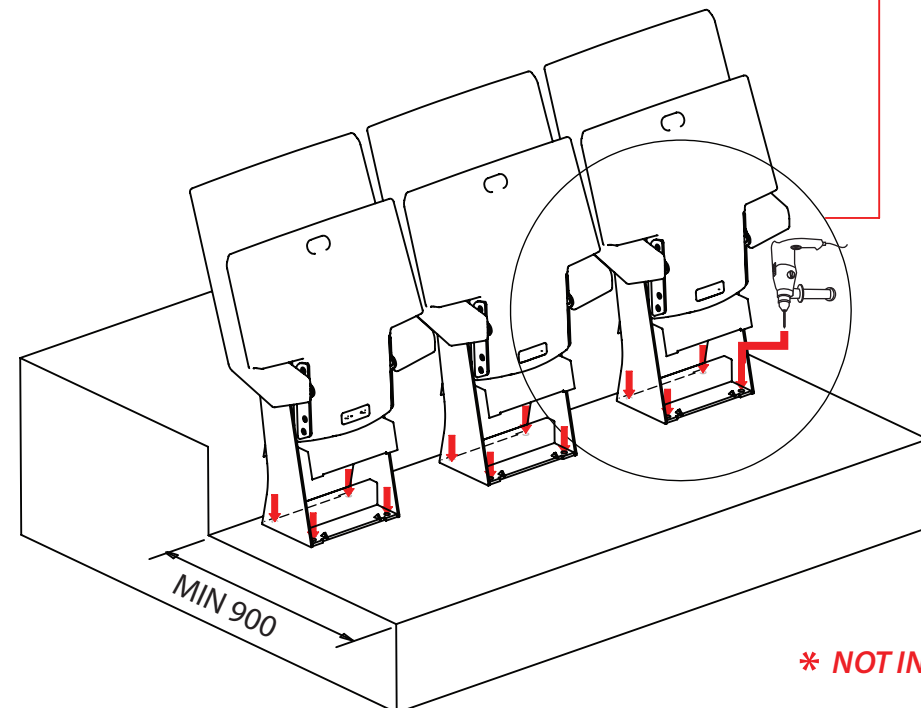


concrete floor:

- * M8 Shield Anchor Bolt
- * (8 x 22 x 3mm) Flat Washer

wooden floor:

- * Hexagon Coach Screw
- * Washer



* NOT INCLUDED