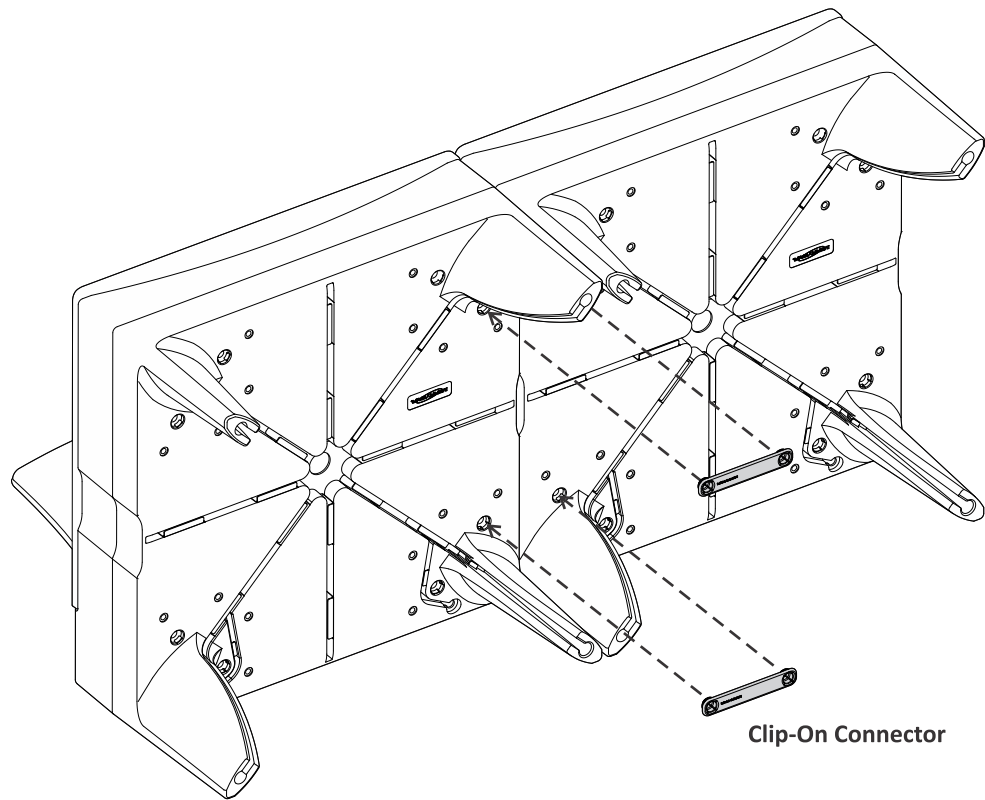
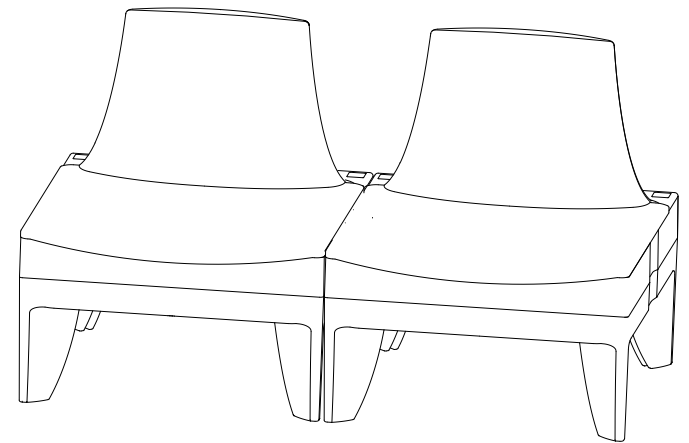


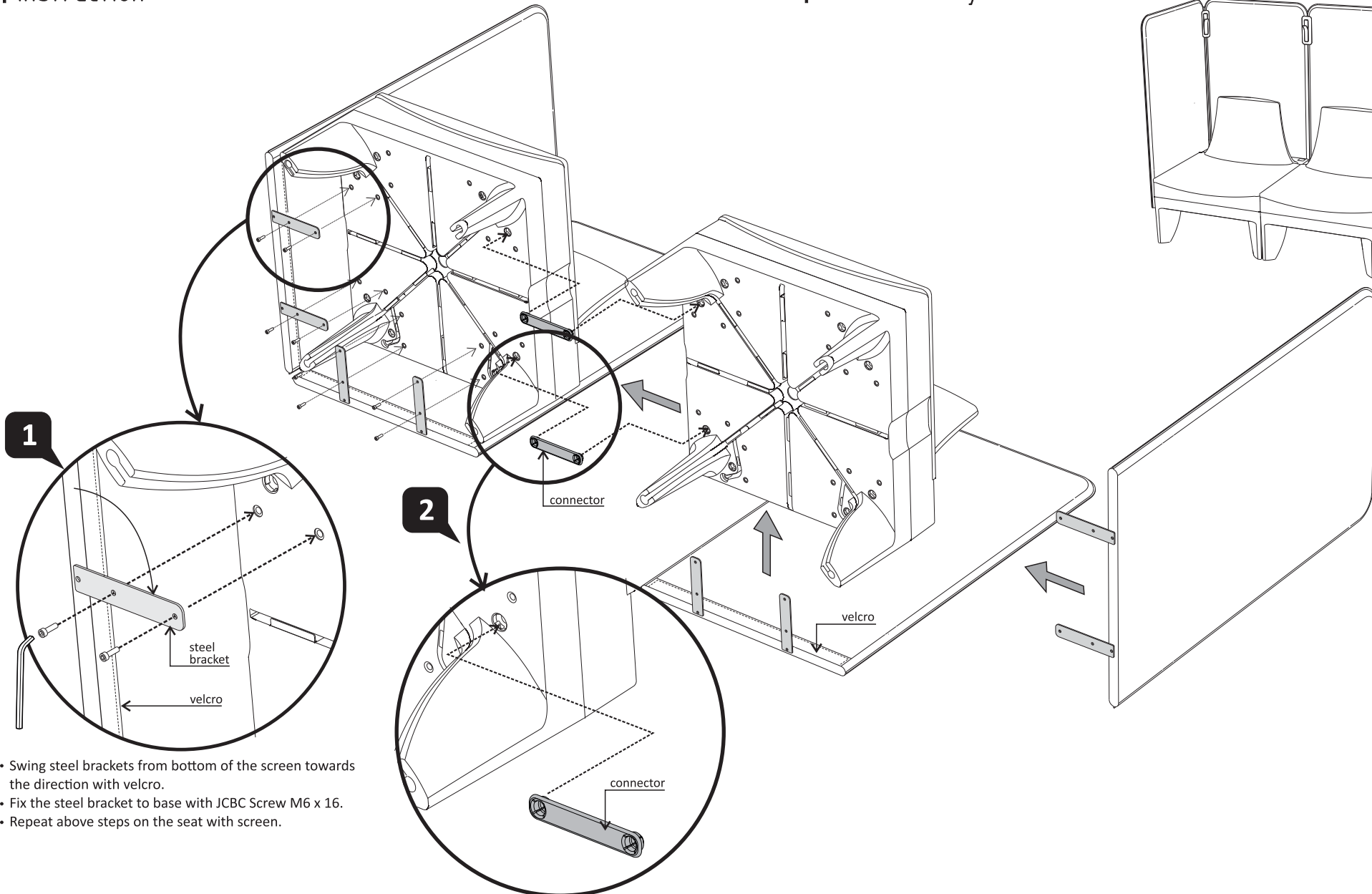
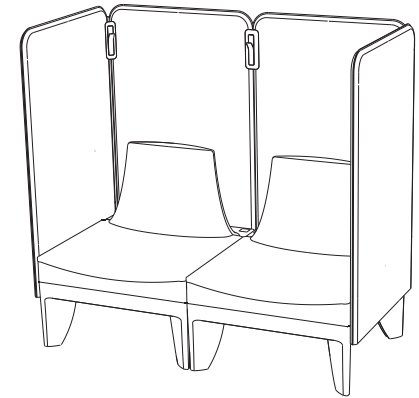
- 1 Link 2 seat together with connector provided



Sofia

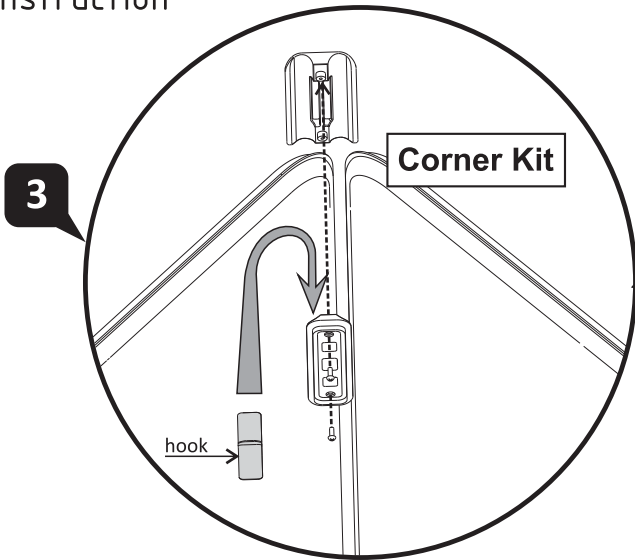
Model : Clip-On Connector



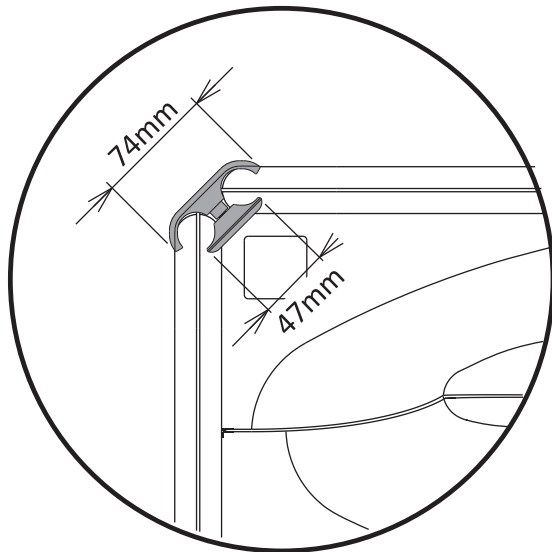


- Swing steel brackets from bottom of the screen towards the direction with velcro.
- Fix the steel bracket to base with JCBC Screw M6 x 16.
- Repeat above steps on the seat with screen.

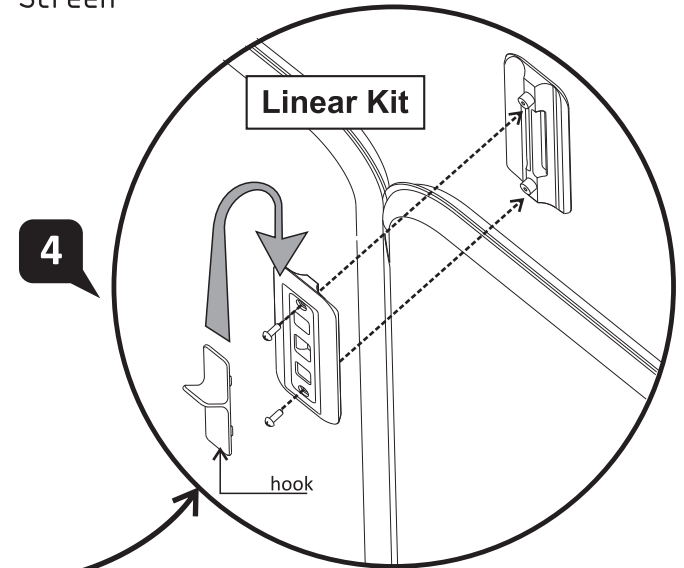
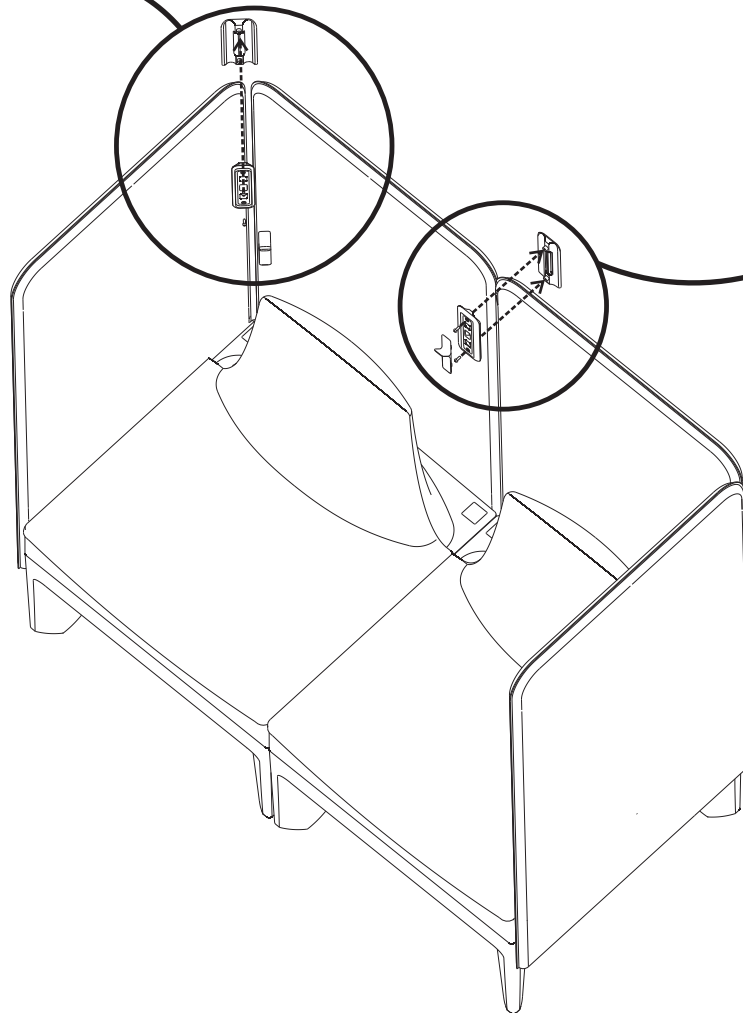
- Link seats together with connector provided.



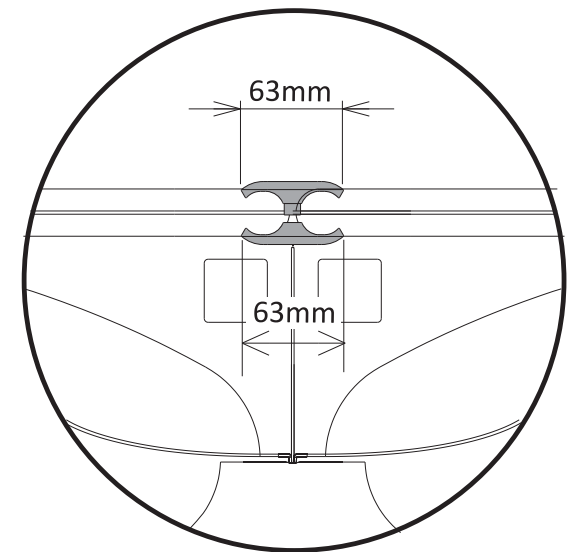
- Fix the kit with CSK Self Tapping Screw #8 x 1" .
- Slot in the hook.



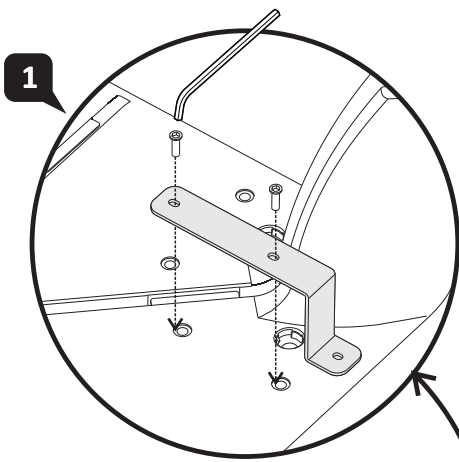
Top View of Corner Kit



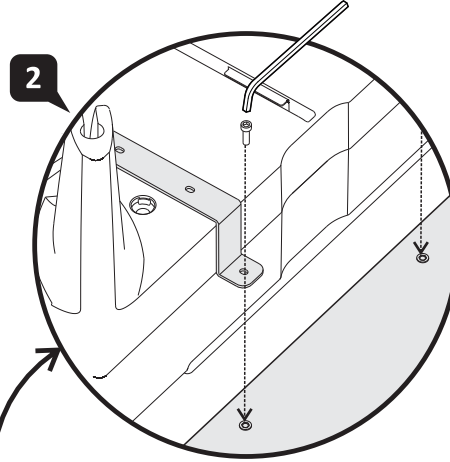
- Fix the kit with CSK Self Tapping Screw #8 x 1" .
- Slot in the hook.



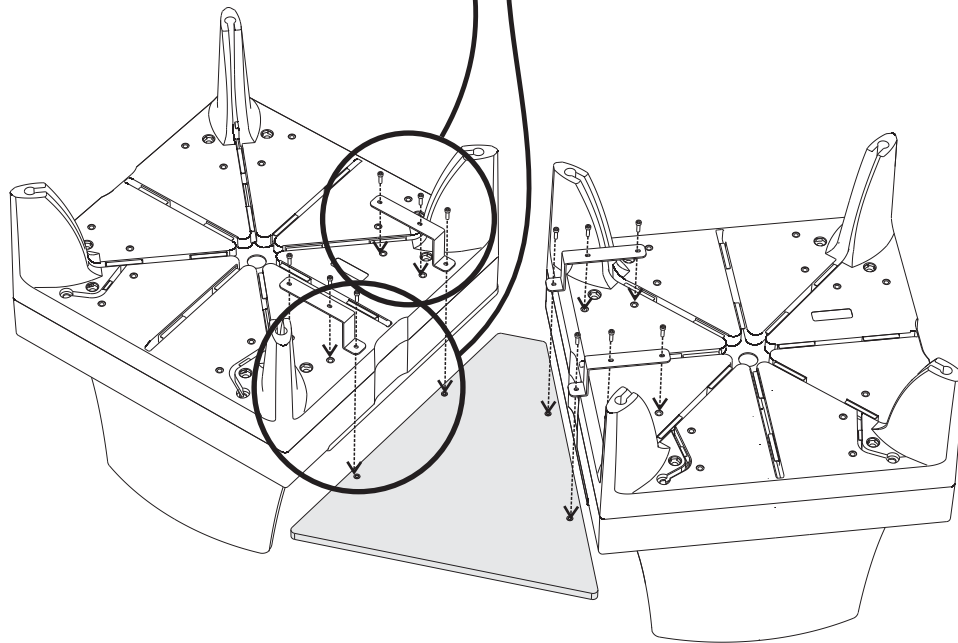
Top View of Linear Kit



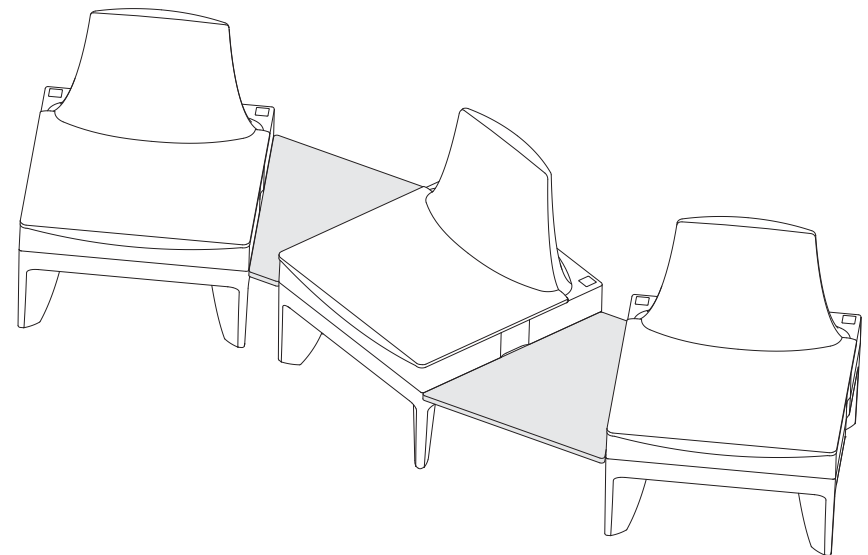
Fix steel bracket to base by using M6 x 16 JCBC Screw.



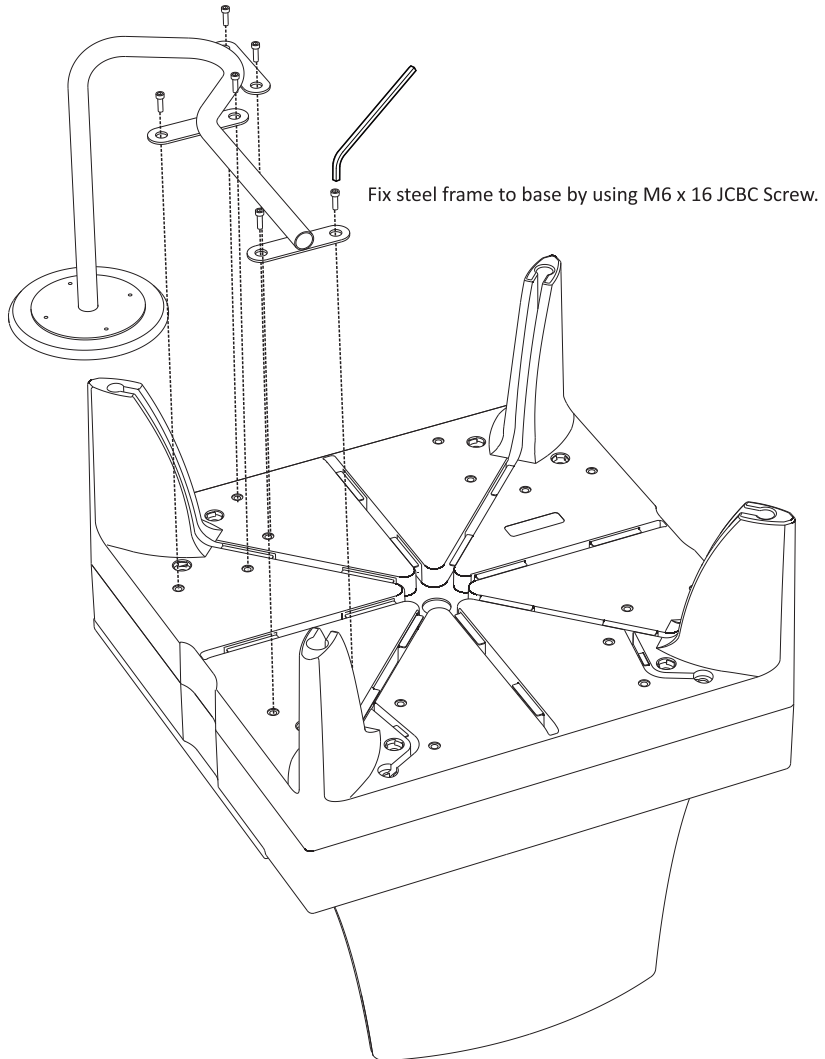
Fix table top to steel bracket by using M6 x 16 JCBC Screw.



Sofia
Model : Side Table 45°

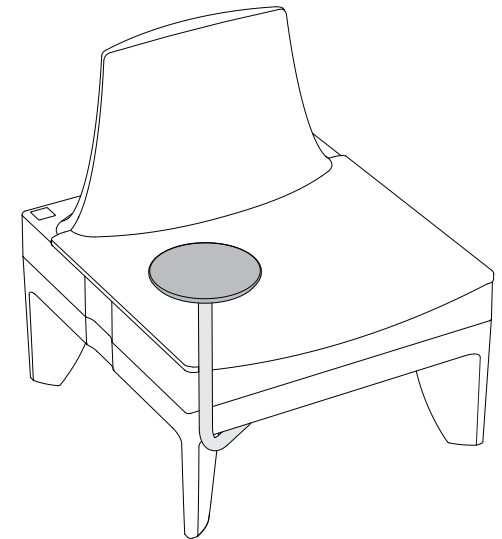


1



Sofia

Model : TT3 - Amenity Top

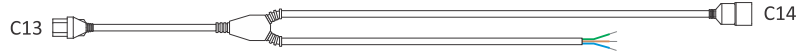


Product Information

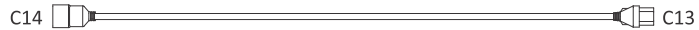
- A Power Entry Kit**
connects Sophia to building's electrical supply from floor or wall. It enters from the bottom of base.
Note : Power Entry must be wired by *licensed electrician*.



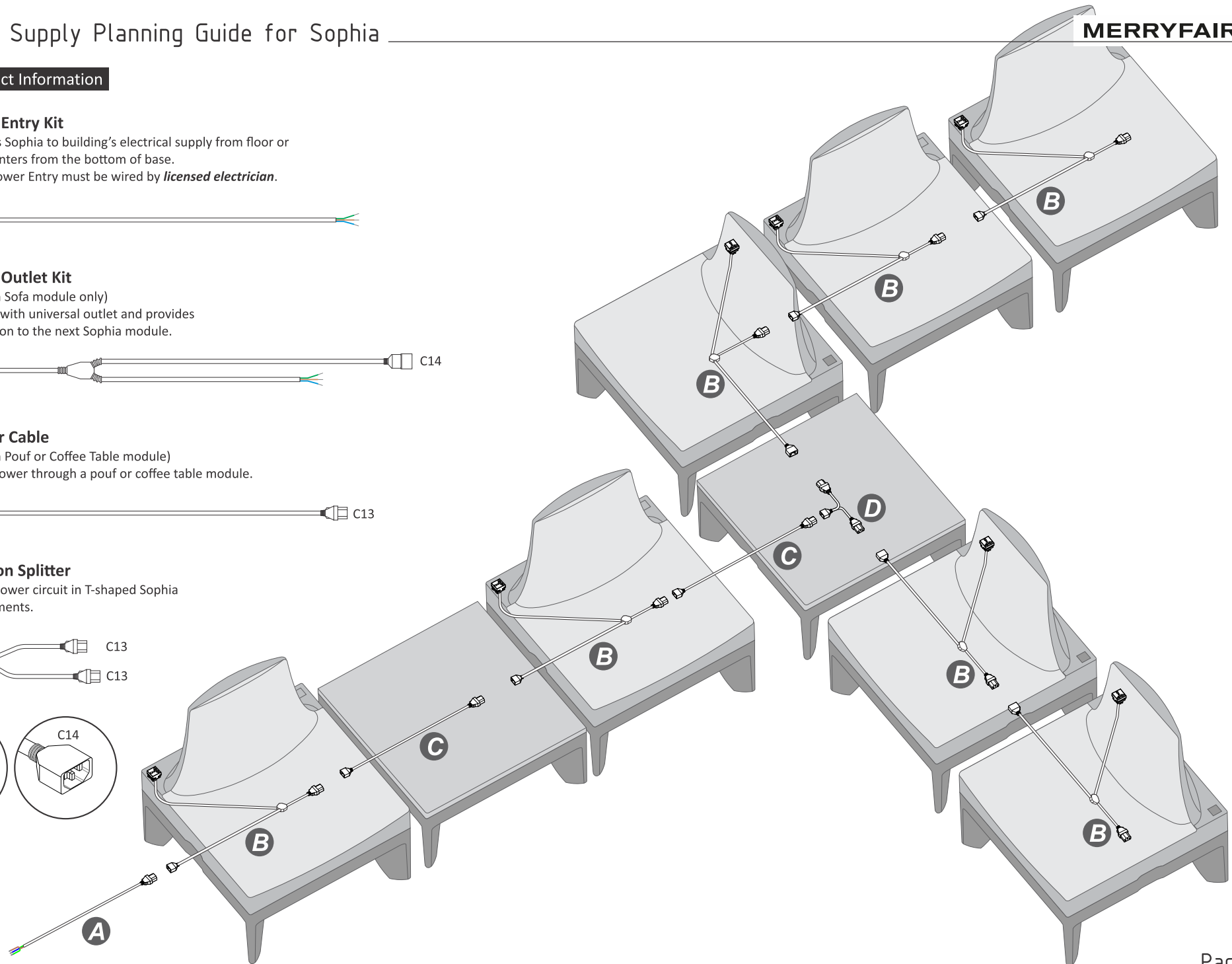
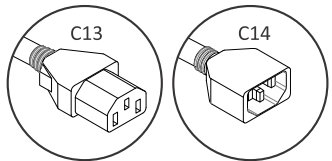
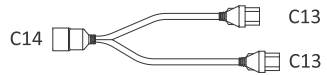
- B Power Outlet Kit**
(for each Sofa module only)
basic kit with universal outlet and provides connection to the next Sophia module.



- C Jumper Cable**
(for each Pouf or Coffee Table module)
passes power through a pouf or coffee table module.



- D T-junction Splitter**
to split power circuit in T-shaped Sophia arrangements.



Planning on What type of module and where to put it

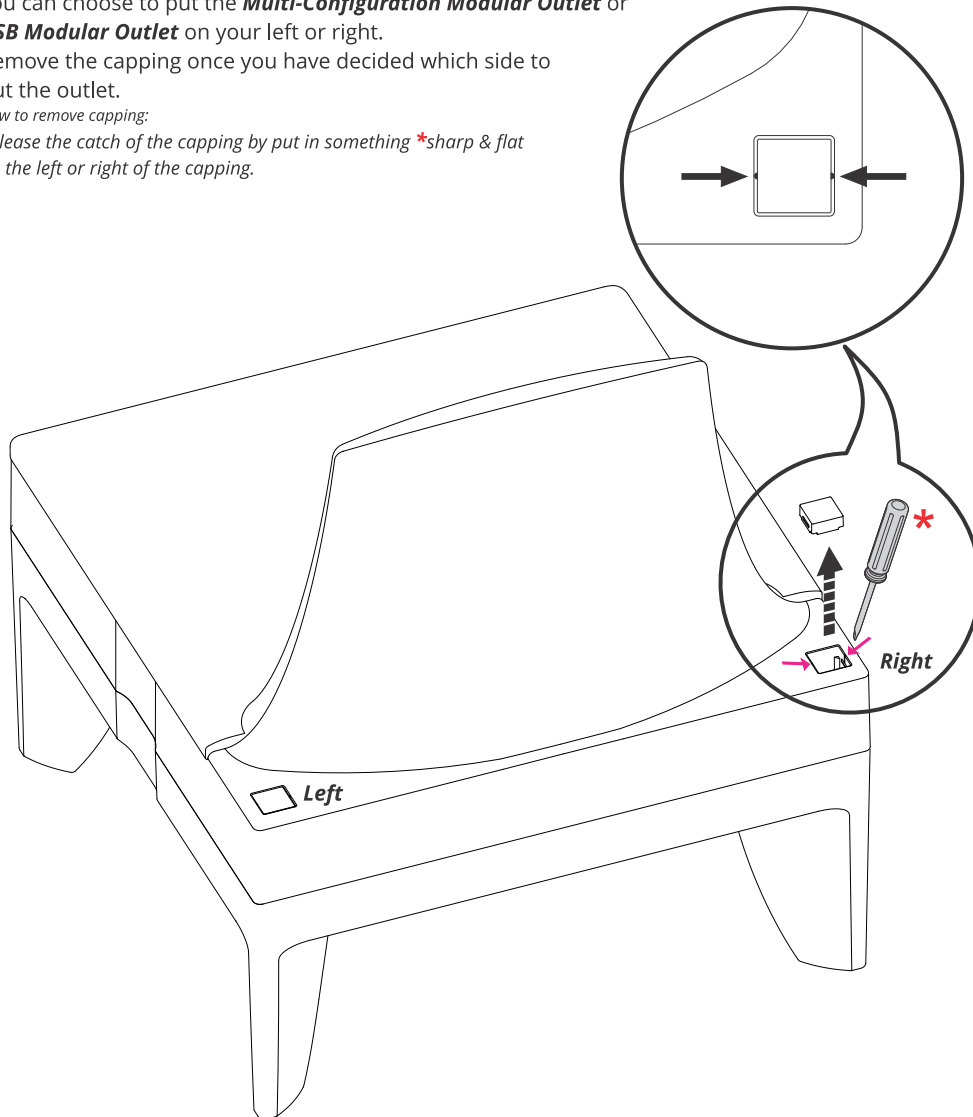
1

You can choose to put the **Multi-Configuration Modular Outlet** or **USB Modular Outlet** on your left or right.

Remove the capping once you have decided which side to put the outlet.

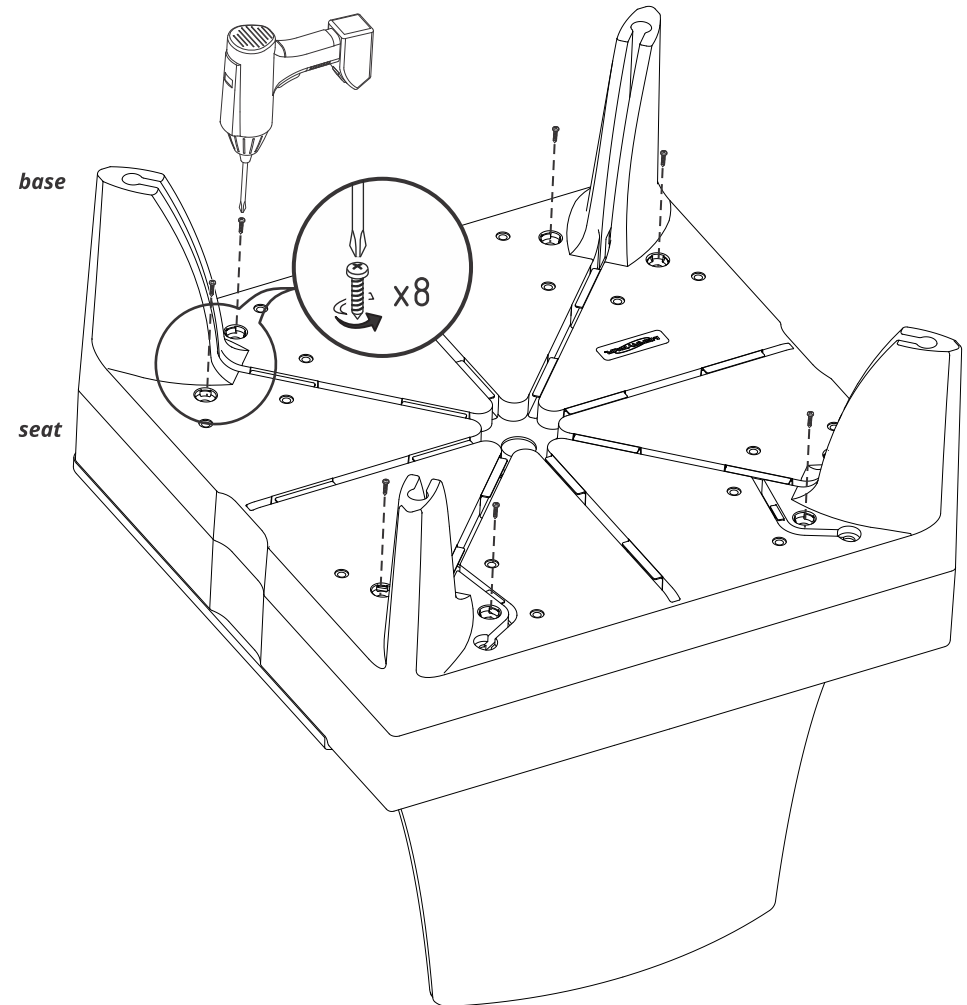
How to remove capping:

*Release the catch of the capping by put in something *sharp & flat on the left or right of the capping.*



2

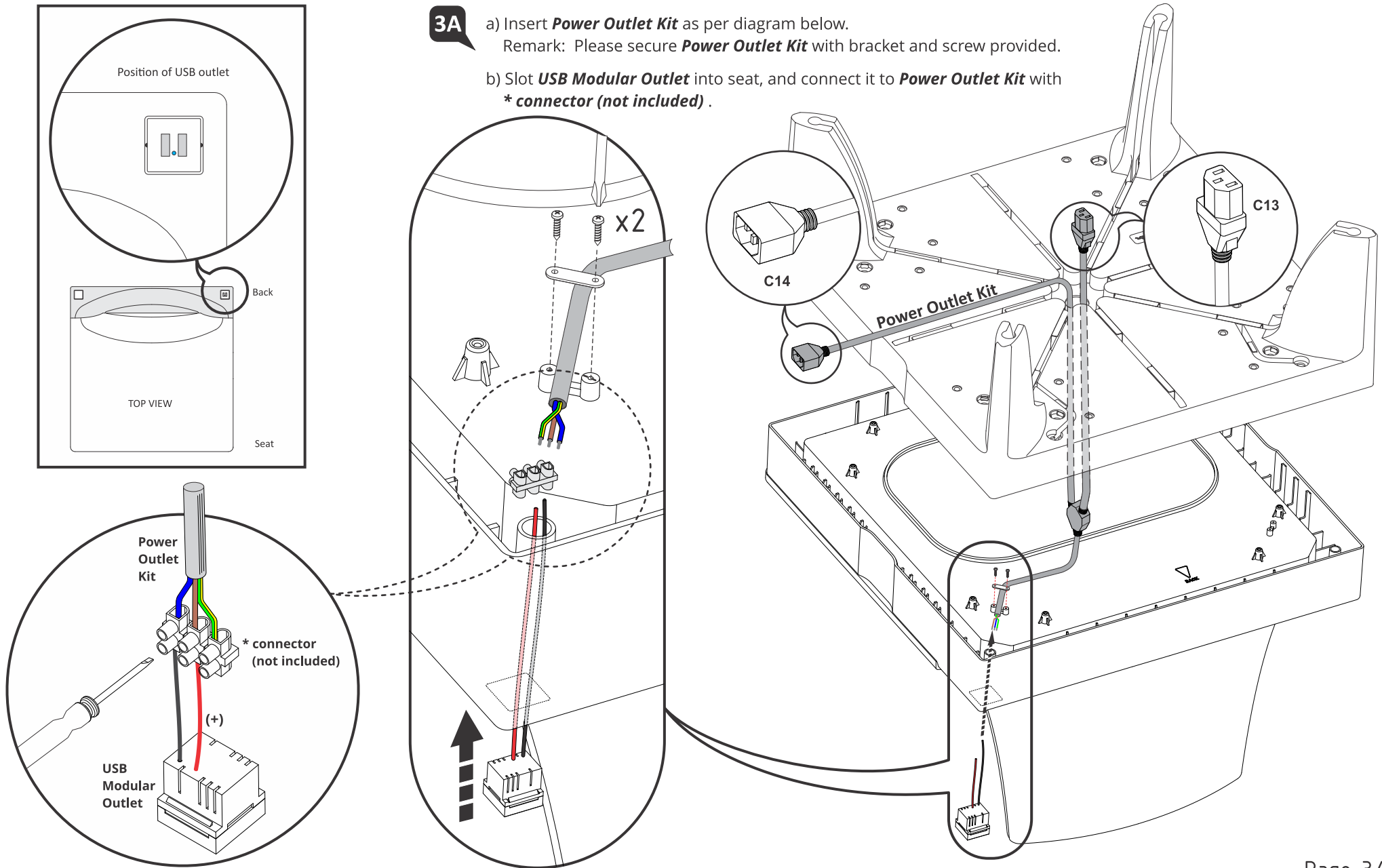
Unscrew the base from seat.



Install USB Modular Outlet (refer step start from 3B for installing Multi-Configuration Modular Outlet)

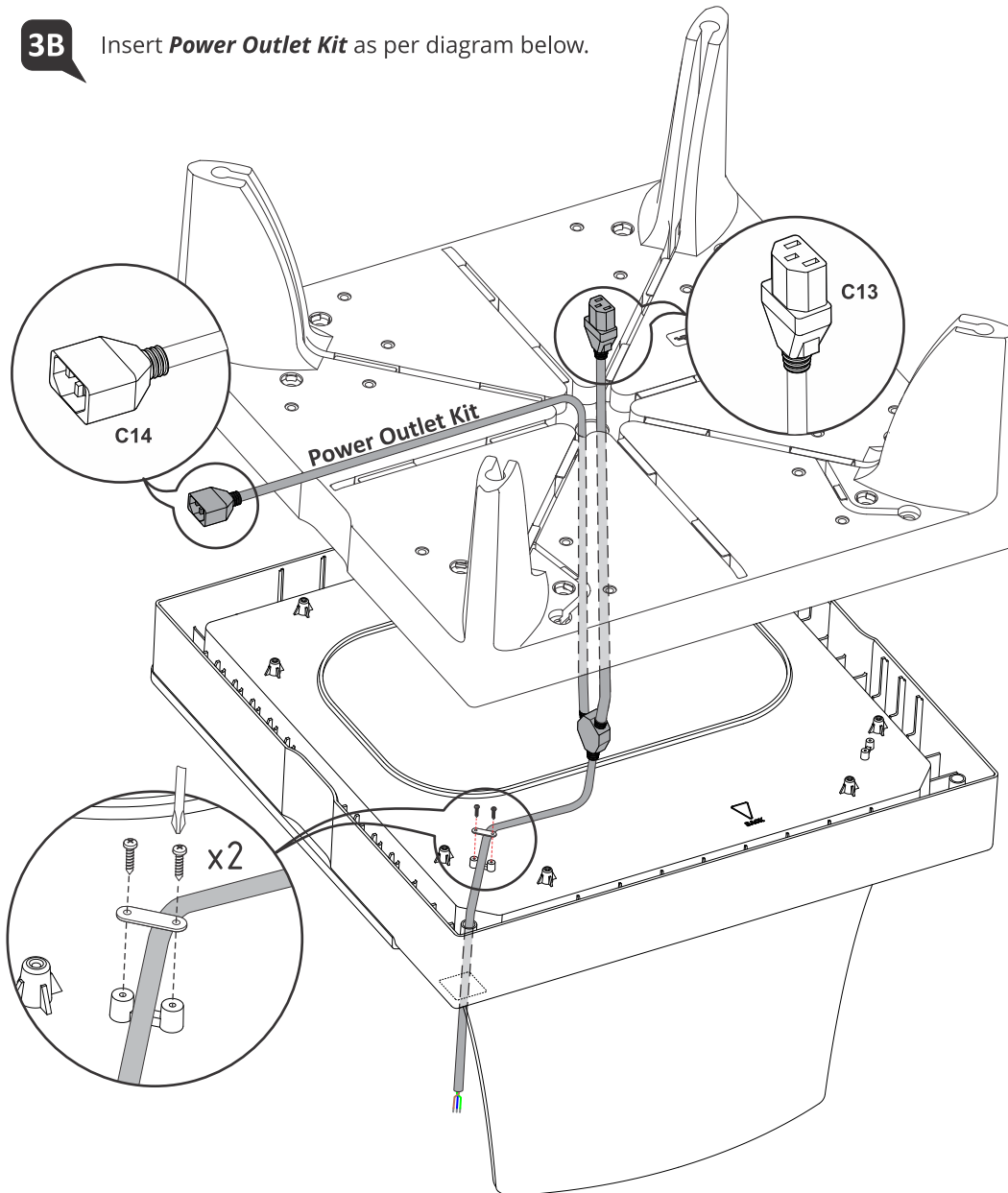
3A

- a) Insert **Power Outlet Kit** as per diagram below.
Remark: Please secure **Power Outlet Kit** with bracket and screw provided.
- b) Slot **USB Modular Outlet** into seat, and connect it to **Power Outlet Kit** with *** connector (not included)**.

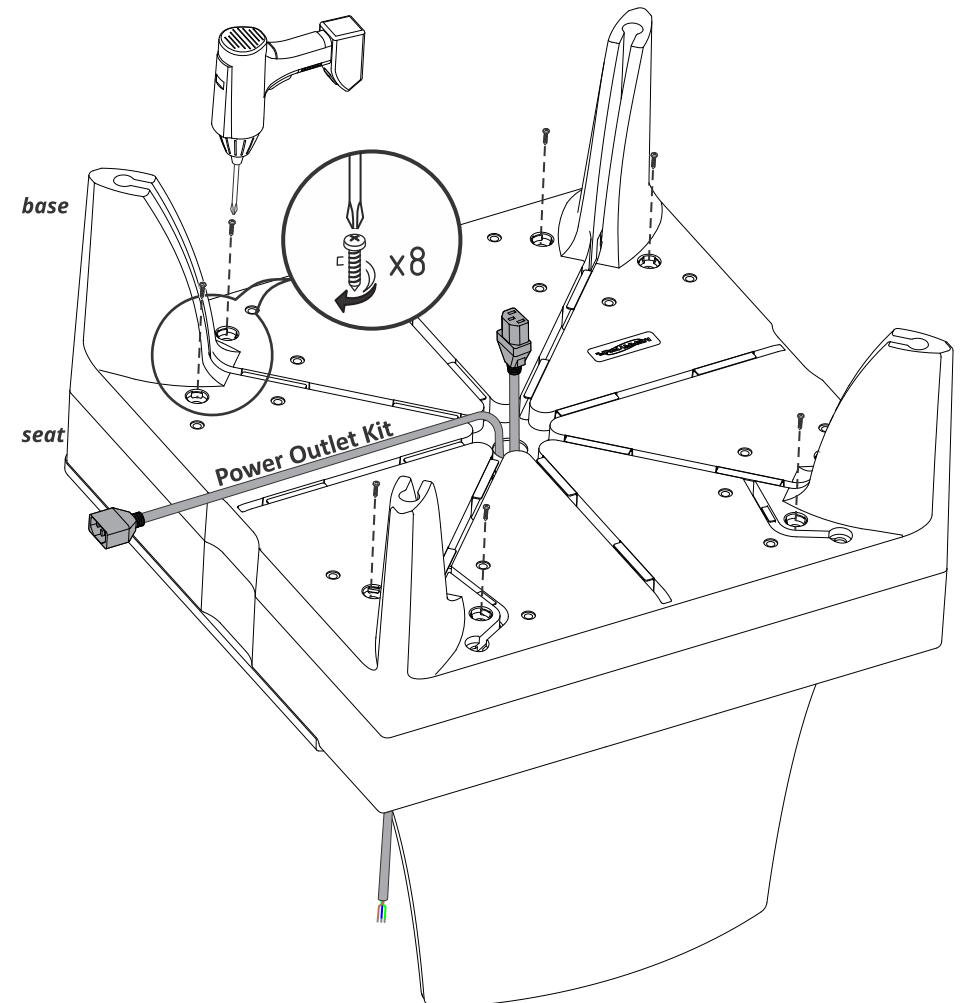


Get ready to install Multi-Configuration Modular Outlet (refer step 3A for installing USB Modular Outlet)

3B Insert **Power Outlet Kit** as per diagram below.



4 Fix base to seat.

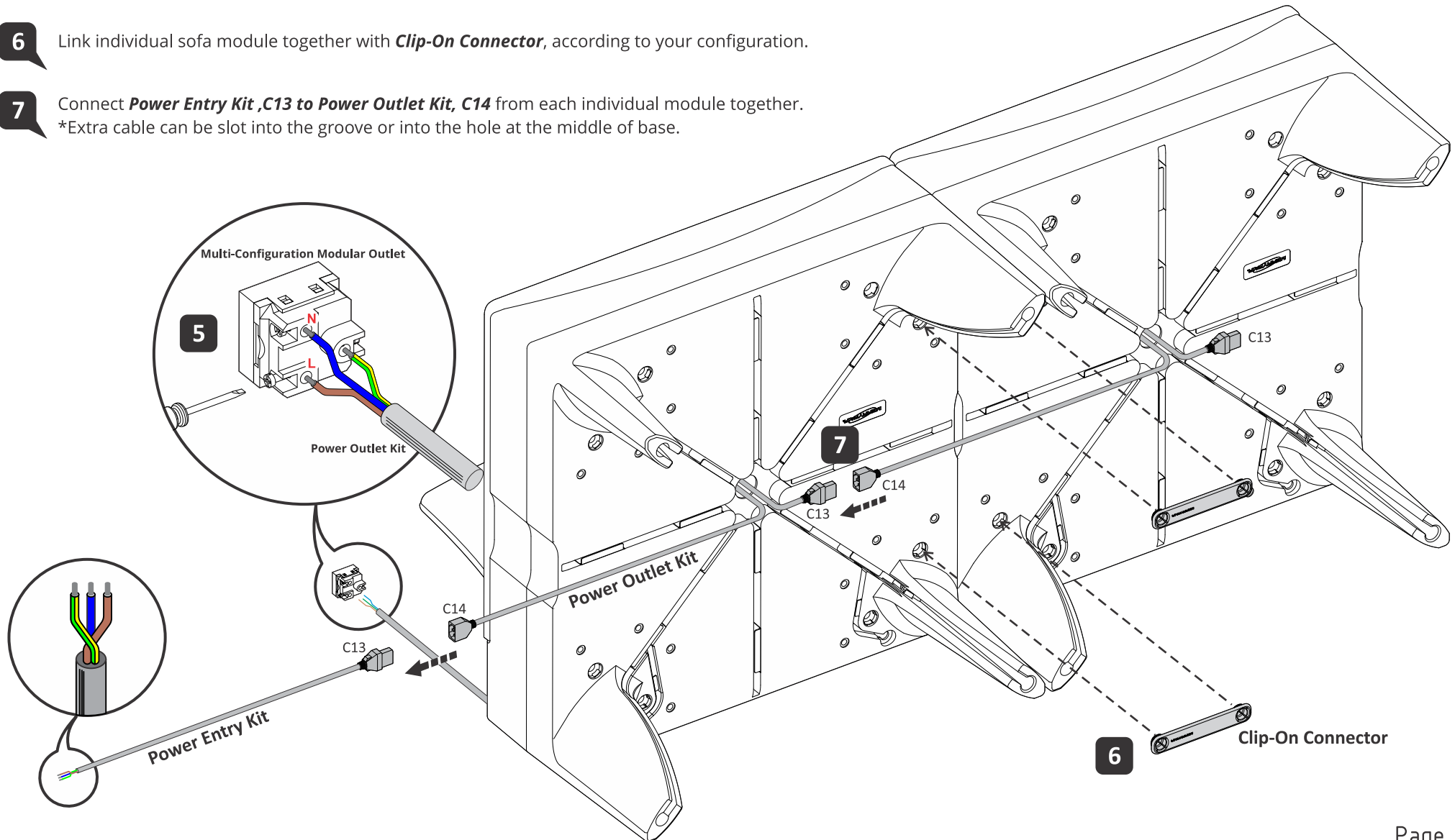


Install Multi-Configuration Modular Outlet

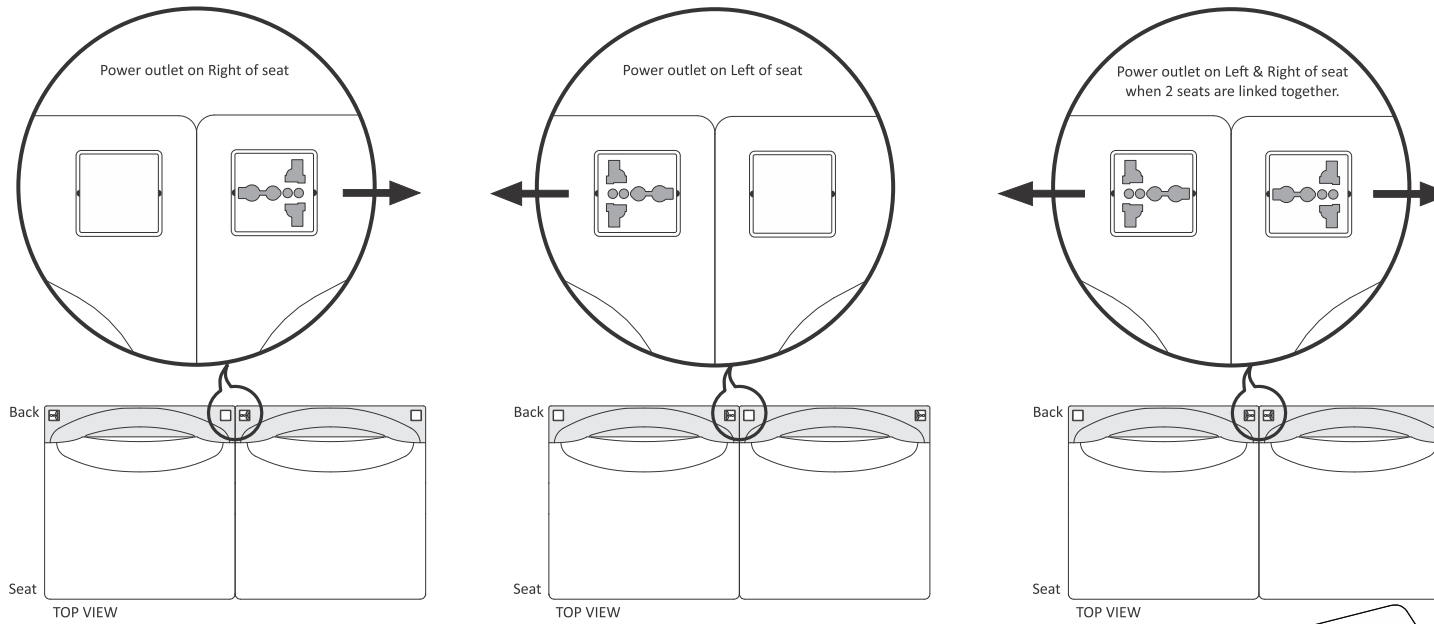
5 Connect **Power Outlet Kit** to **Multi-Configuration Modular Outlet** as per diagram below.
* Do not slot the Multi-Configuration Modular Outlet into the seat until the last.

6 Link individual sofa module together with **Clip-On Connector**, according to your configuration.

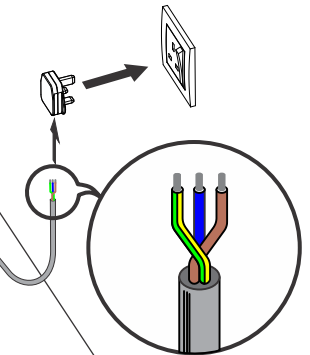
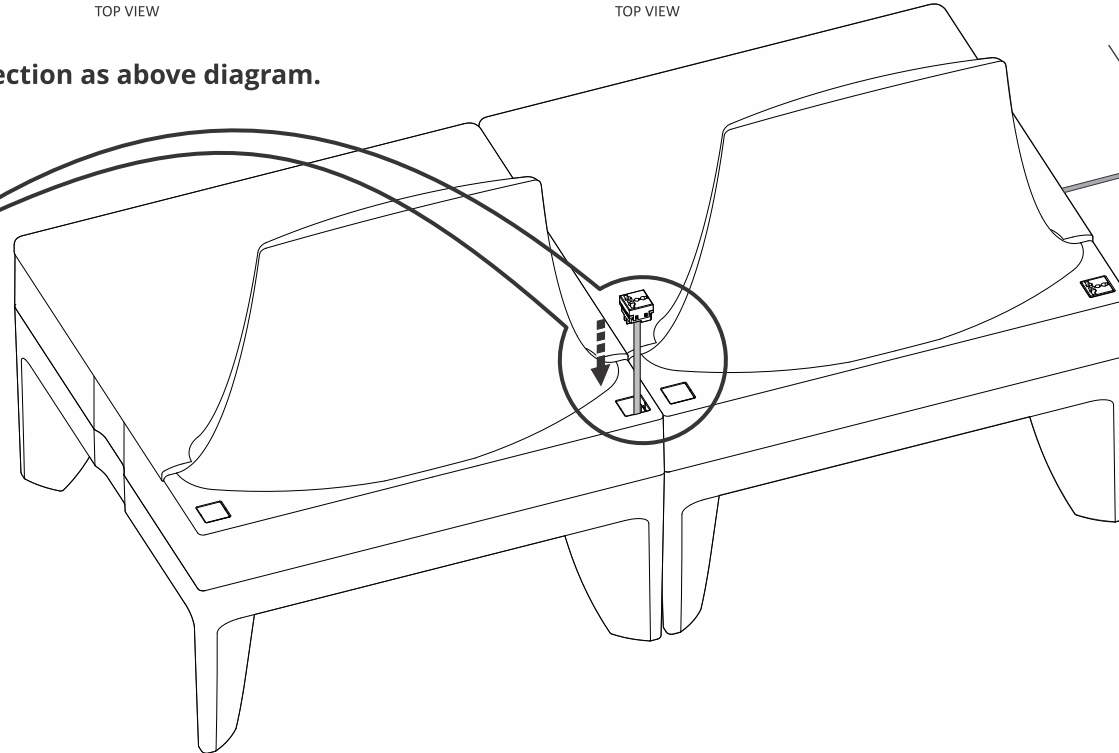
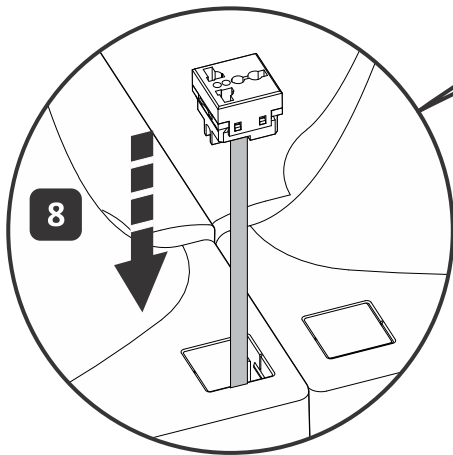
7 Connect **Power Entry Kit**, **C13** to **Power Outlet Kit**, **C14** from each individual module together.
*Extra cable can be slot into the groove or into the hole at the middle of base.



Position of Multi-Configuration Modular Outlet

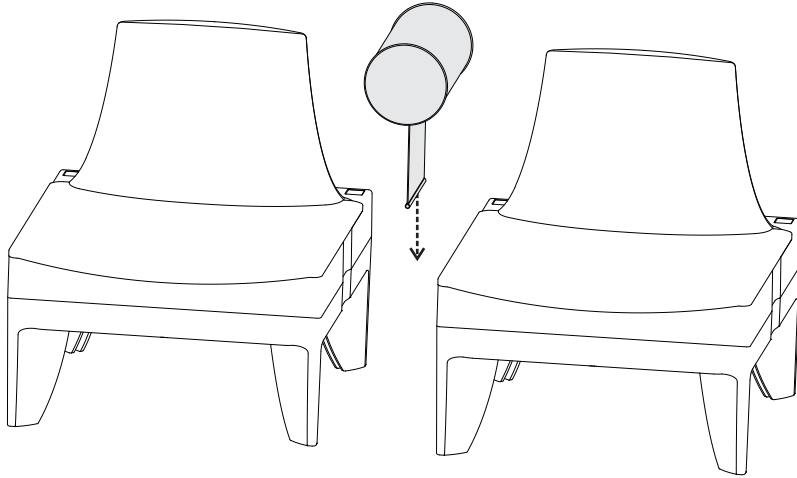


8 Slot the power outlet into the direction as above diagram.

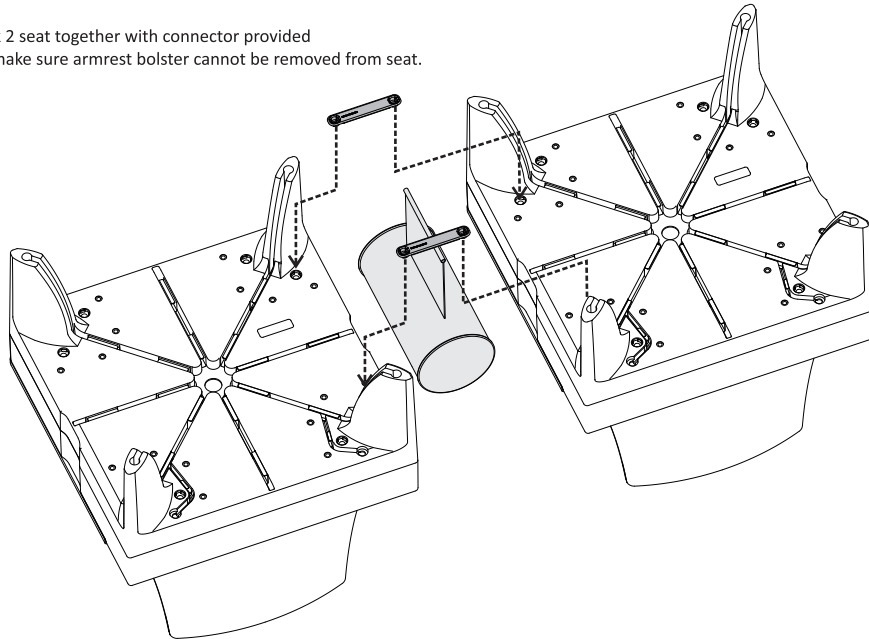


9 Connect the **Power Entry Kit** to **plug*. Finally connect the *plug* to wall / floor socket.
** not included*

- 1 Slot armrest bolster in between seat.



- 2 Link 2 seat together with connector provided to make sure armrest bolster cannot be removed from seat.



Sofia
Model : AB1 - Armrest Bolster

