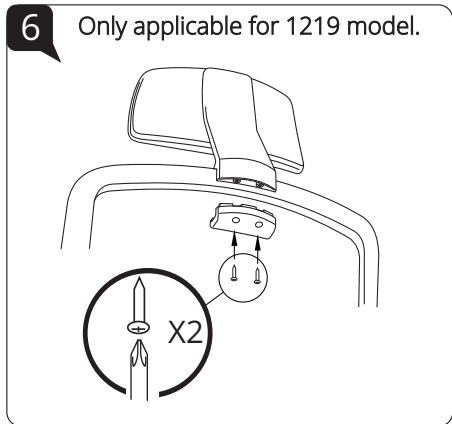
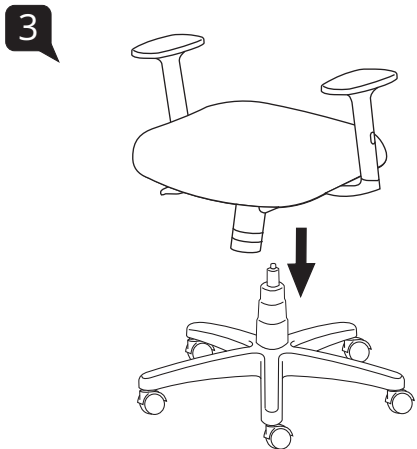
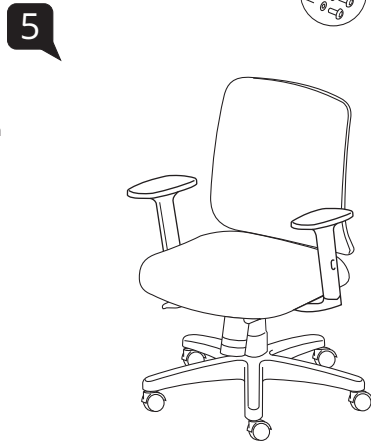
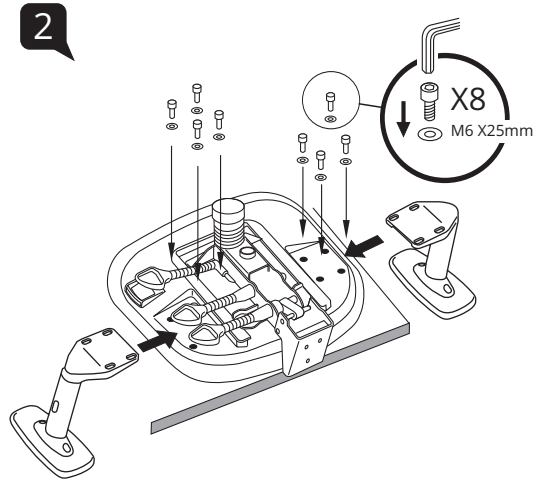
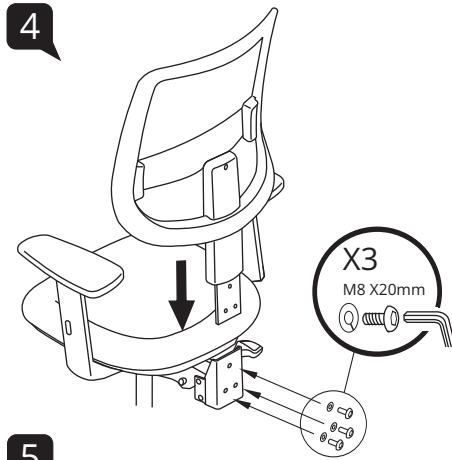
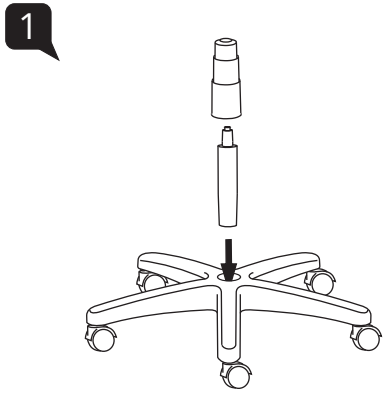


Assembly Instruction



SAGA⁺

Models

1219 TJ A78 M2
1218 TJ A78 M2
1219 TJ A69 M2
1218 TJ A69 M2

User Instructions

- A Seat Height Adjustable**
Flip up lever on right-side to raise or lower seat. Adjust such that your feet are adequately supported on floor.
- B Backrest Angle**
Flip up lever to unlock backrest. Recline to desired position, and flip down lever to lock.
- C Seat Angle**
First, ensure backrest angle is locked by flipping down lever. Recline to desired angle, and flip down lever to lock. Flip up lever to release tilt-lock.
- D Tilt tension Control**
Turn bottom knob clockwise to provide a stronger tilt tension, and vice-versa. Adjust such that minimum effort is required to push back when recline.
- E Backrest Height**
Hold backrest by both sides and pull up to desired height. To lower backrest, pull it to maximum height and then, return to lowest height to start again. Adjust height so that the backrest curvature follows the curve of your back.
- F Armpad Angle**
Grasp armpads and rotate them inwards or outwards to adjust elbow support to suite specific tasks. An inward position works during keyboard use, while an outward position is recommended during mousing.
- G Armrest Depth**
Grasp armpads and push them forwards and backwards to suite your arm support.
- H Armrest Height**
Press the button and raise or lower the armrest. Adjust height to adequately support elbows to take strain off shoulders.
- I Seat Depth Adjustment**
Pull the lever under the right-side of the seat to adjust fore or aft position.
- J Headrest Height** (Only applicable for 1219 model)
Adjust height by holding both sides of headrest and pull up or down to your desired height.

