

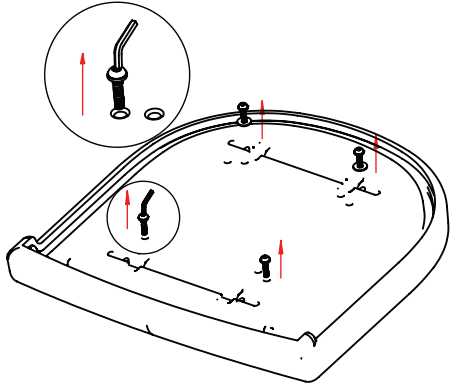
# Assembly Instruction

MERRYFAIR.

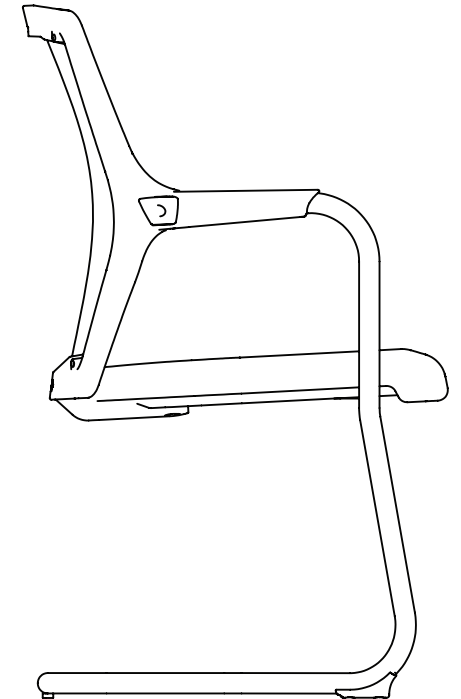
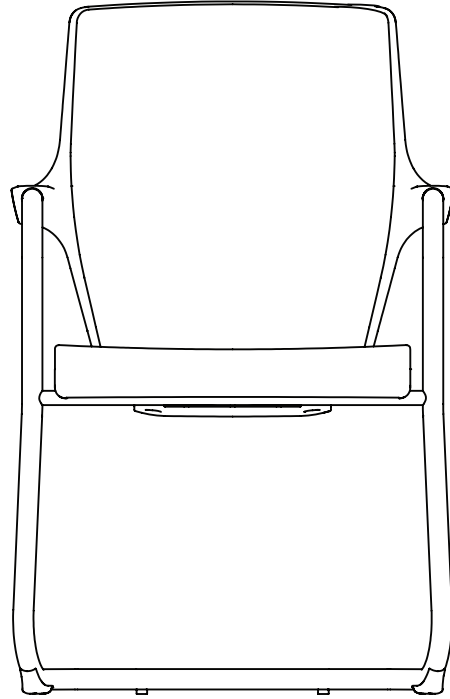
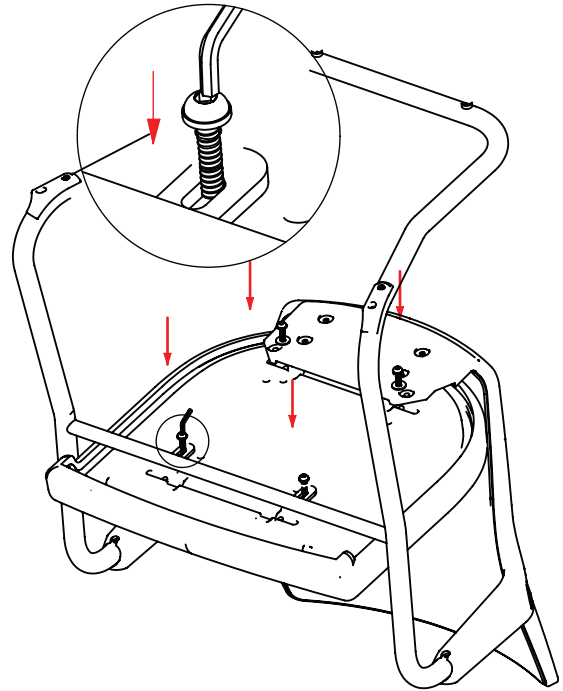
## Robin

Model : 691\* NA A67 \*

1

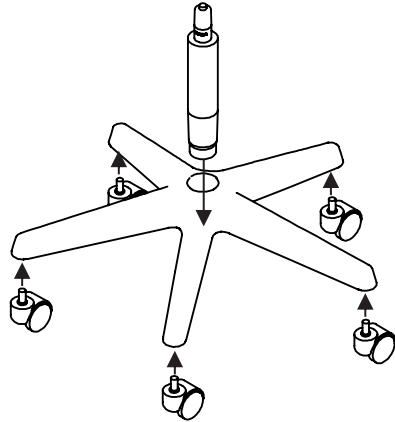


2

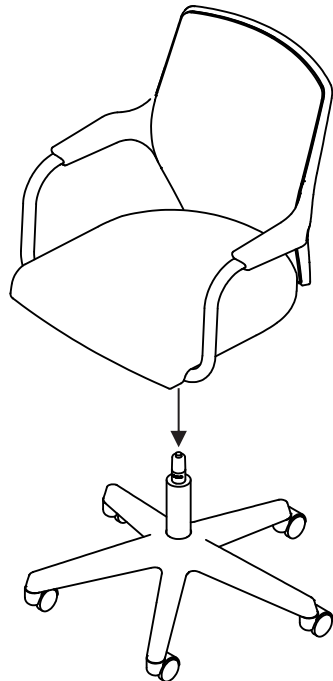


# Assembly Instruction

1



2

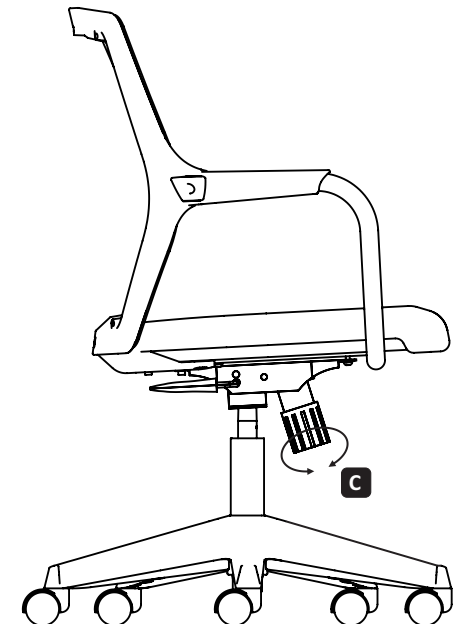
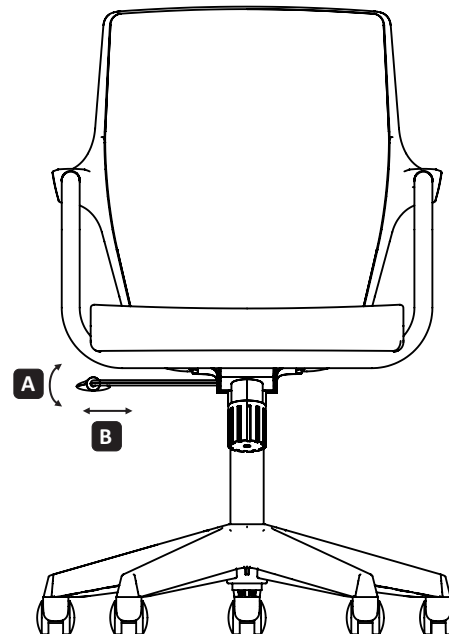


# User Instruction

MERRYFAIR.

## Robin Model : 697 SH A67 N3

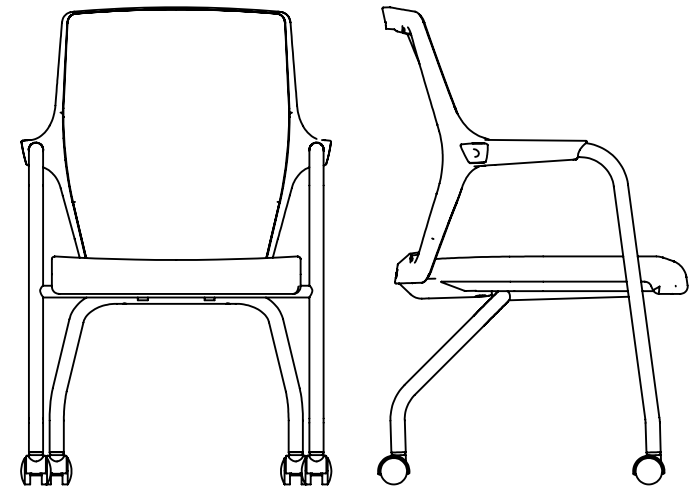
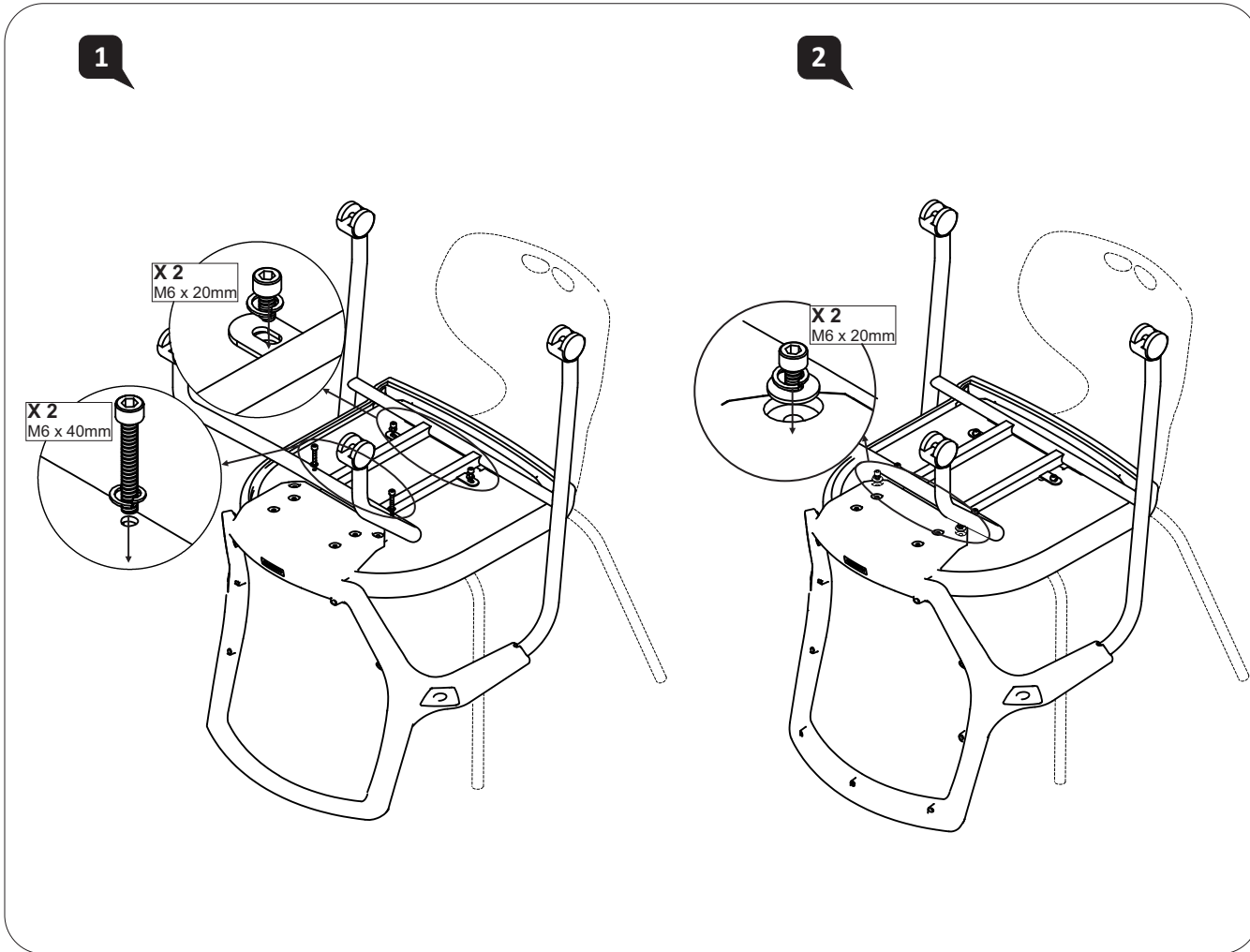
- A Seat Height Adjustable**  
Flip up lever on right-side to raise or lower seat. Adjust such that your feet are adequately supported on floor.
- B Upright Tilt Lock**  
With chair in upright position, push lever inwards to lock tilting. Pull lever outwards to release tilt-lock.
- C Tilt Tension Control**  
Turn bottom knob clockwise to provide a stronger tilt tension, and vice-versa. Adjust such that minimum effort is required to push back when reclining.



Assembly  
Instruction

MERRYFAIR.

**Robin**  
Model : 691 NA A67 H4

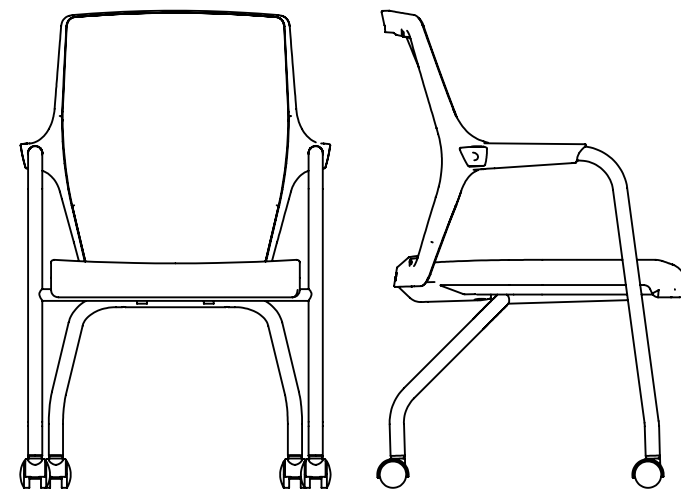
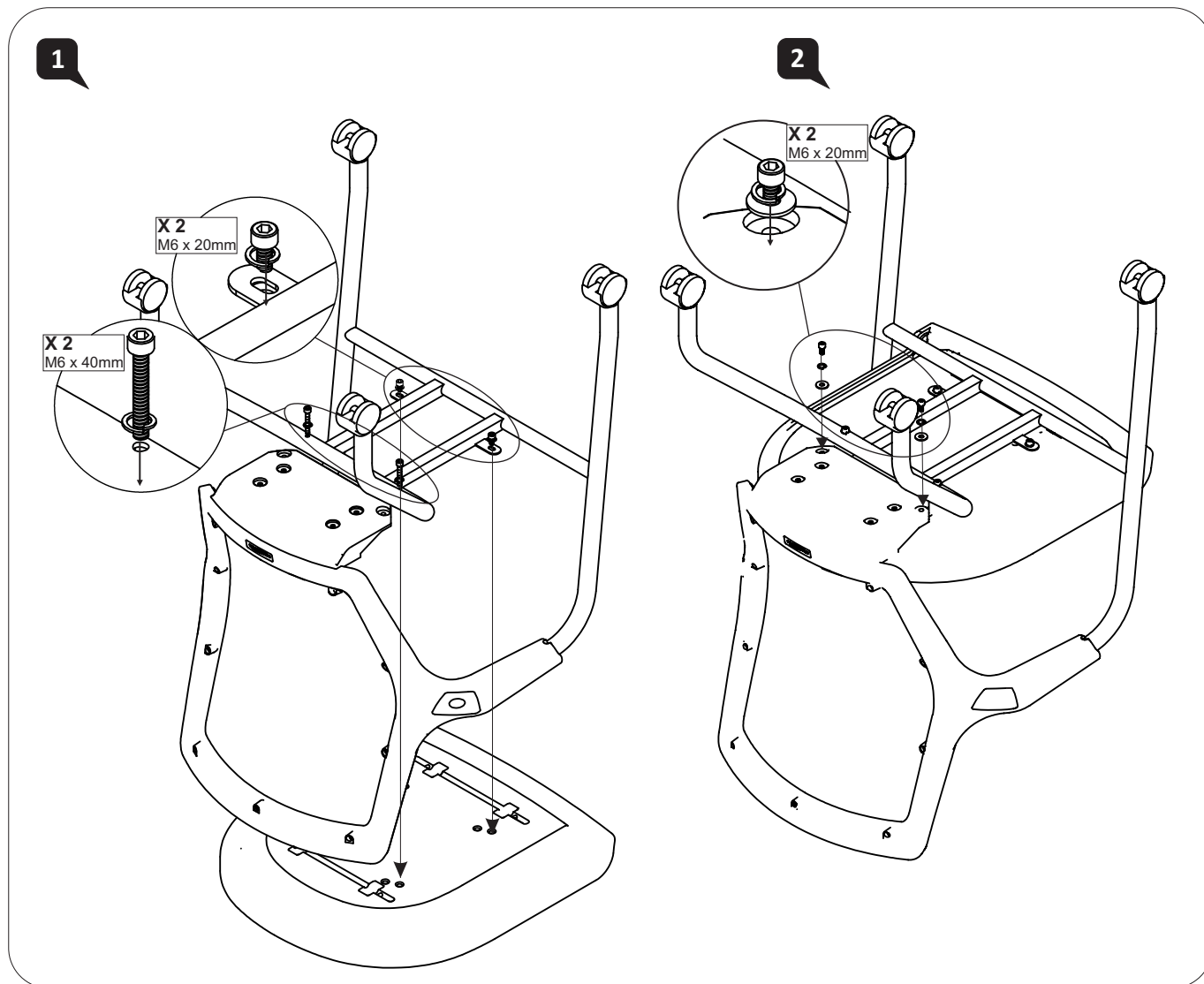


# Assembly Instruction

MERRYFAIR.

## Robin

Model : 691 NA A67 H4



# Assembly Instruction

MERRYFAIR.

**Robin**  
Model : 691\* NA A67 H4

