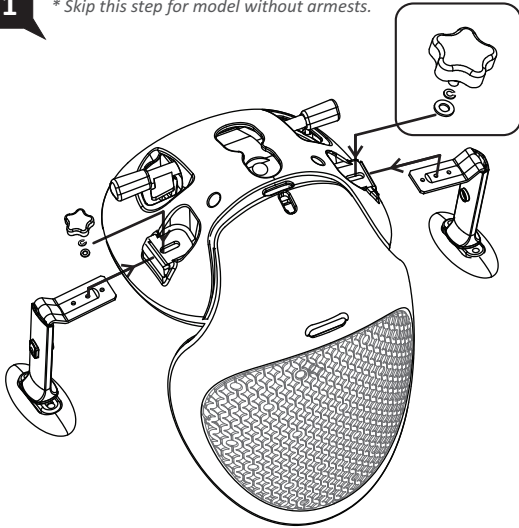
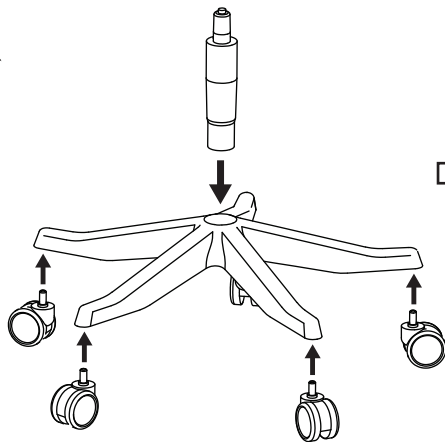


# Assembly Instruction

**1** \* Skip this step for model without armrests.



**2**



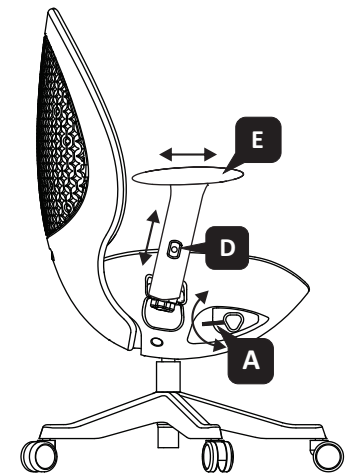
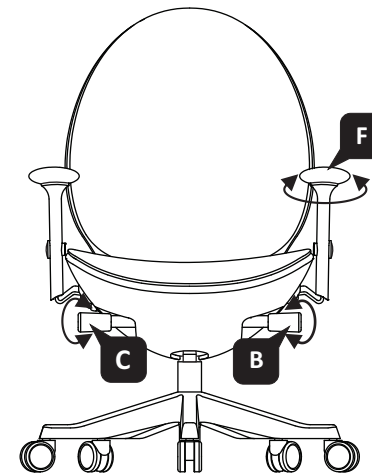
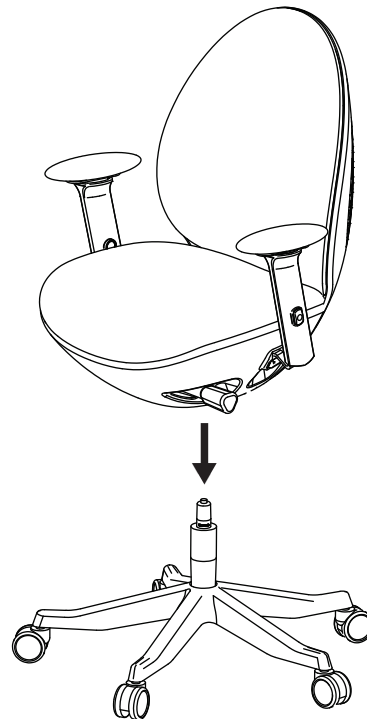
# User Instruction

- A Seat Height Adjustable**  
Flip up lever on right-side to raise or lower seat. Adjust such that your feet are adequately supported on floor.
- B Multi-Position Tilt Lock**  
Recline to desired position, and turn lever on left-side clockwise to lock, and vice-versa to release tilt-lock.
- C Tilt Tension Control**  
Turn lever on right- side clockwise to provide a stronger tilt tension, and vice-versa. Adjust such that minimum effort is required to push back when recline.

- D Armrest Height**  
Press the button and raise or lower the armrest. Adjust height to adequately support elbows to take strain off shoulder.
- E Armrest Depth**  
Grasp armpads and push them forwards or backwards to suit your arm support.
- F Armpad Angle**  
Grasp armpads and rotate them inwards or outwards to adjust elbow inward position during keyboard use, while an outward position is recommended during mousing.

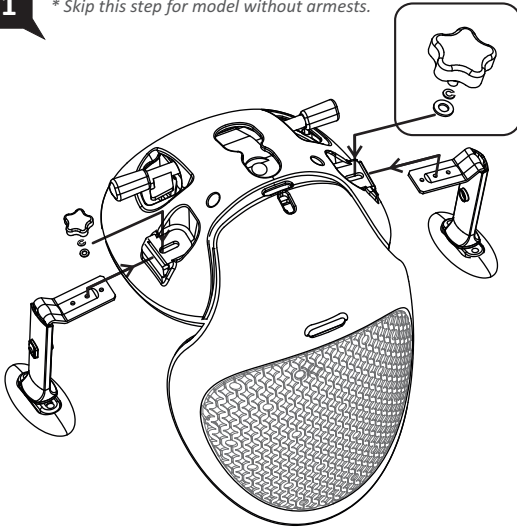
## OVO

Model : 667\_ YJ A00 VB  
667\_ YJ A66 VB

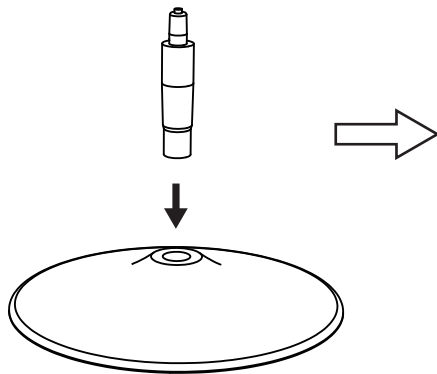


# Assembly Instruction

**1** \* Skip this step for model without armrests.



**2**



# User Instruction

**A Multi-Position Tilt Lock**  
Recline to desired position, and turn lever on left-side clockwise to lock, and vice-versa to release tilt-lock.

**B Tilt Tension Control**  
Turn lever on right- side clockwise to provide a stronger tilt tension, and vice-versa. Adjust such that minimum effort is required to push back when recline.

**C Armrest Height**  
Press the button and raise or lower the armrest. Adjust height to adequately support elbows to take strains off shoulder.

**D Armrest Depth**  
Grasp armpads and push them forwards or backwards to suit your arm support.

**E Armpad Angle**  
Grasp armpads and rotate them inwards or outwards to adjust elbow inward position during keyboard use, while an outward position is recommended during mousing.

**F Auto-Return Swivel Chair**  
Chair will automatically return back to its original position after use.

## OVO

Model : 667\_ YJ A00 AM  
667\_ YJ A66 AM

