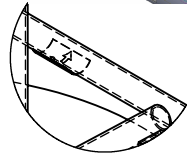
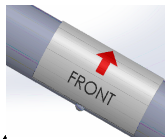
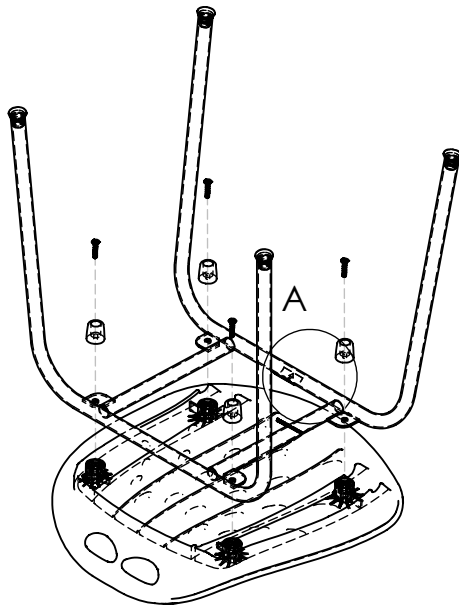


# Assembly Instruction

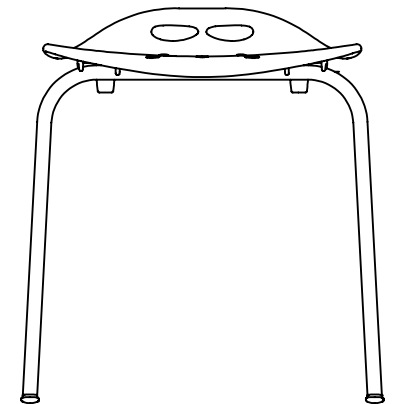
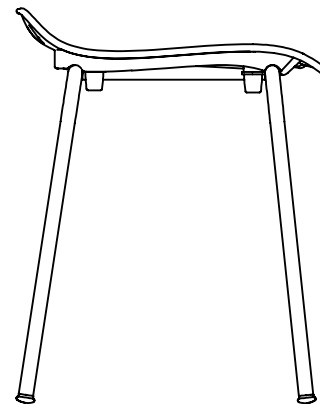
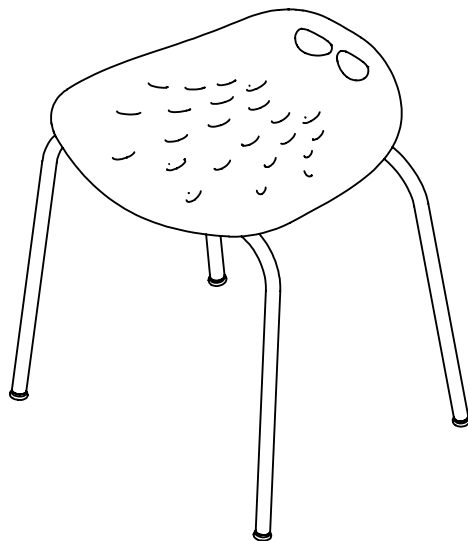
MERRYFAIR®

## Mata Stool

model : 1316\*NAA00H



DETAIL A  
SCALE 1 : 5



# Assembly Instruction

**MERRYFAIR®**

## Mata Stool

model : 1317\*NAA00HH  
1318\*NAA00HH  
1319\*NAA00HH

