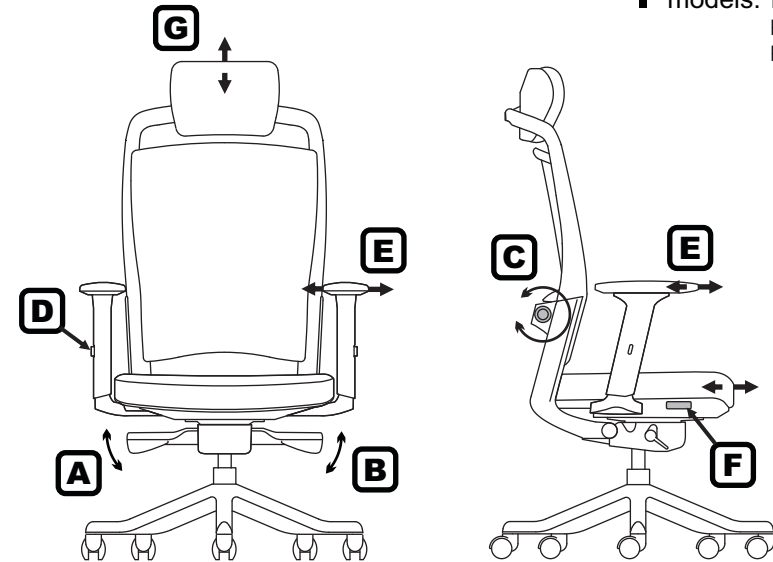


models: P069 YM A78 V
P068 YM A78 V
P067 YM A78 V

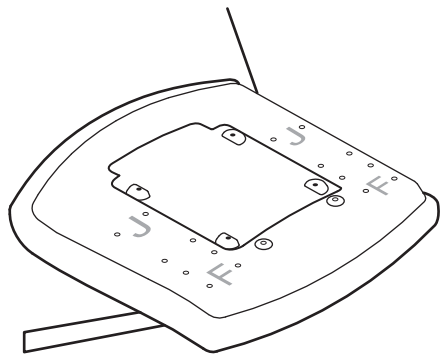


- A Seat Height Adjustment**
Flip up lever on right-side to raise or lower seat. Adjust such that your feet are adequately supported on floor.
- B Multi-Position Tilt Lock**
Recline to desired position, and flip down lever on left-side to lock. Flip up lever and recline to release tilt-lock.
- C Lumbar Depth**
Turn knobs on either side of back-frame to adjust depth of lumbar-support cushion.
- D Armrest Height**
Push button to unlock armrest and raise or lower it to desired height, and release button to lock. Adjust such that elbows are resting on armpads without straining the shoulders.
- E Armpad Depth and Angle**
Grasp armpads and slide forwards or backwards, to match elbow position. Rotate them inwards or outwards to adjust elbow support to suite specific tasks. An inward position works during keyboard use, while an outward position is recommended during mousing.
- F Seat Depth**
Pull lever out to slide seat forward or backward to desired depth. Adjust such that the front edge is not pressing on to calves while your back is resting on backrest.
- G Headrest Height (P069 model only)**
Adjust height by holding both sides of headrest then pulling up or down to your desired height.

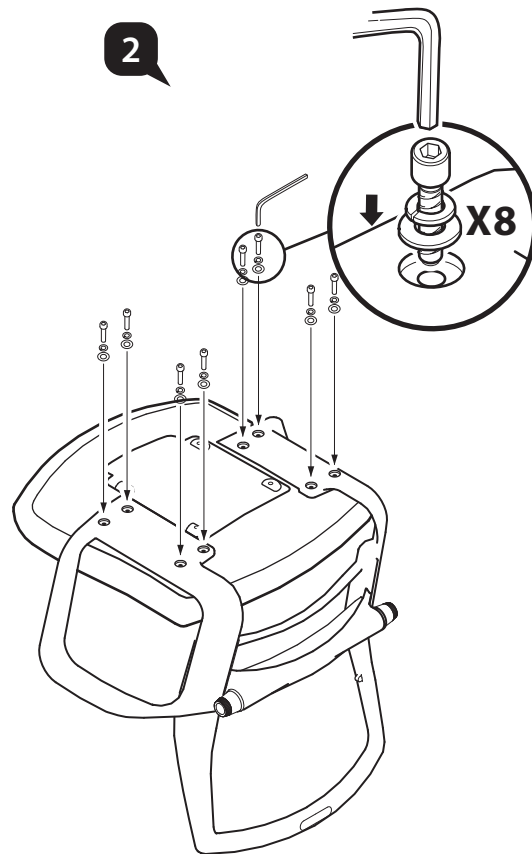
Assembly Instruction

MERRYFAIR®

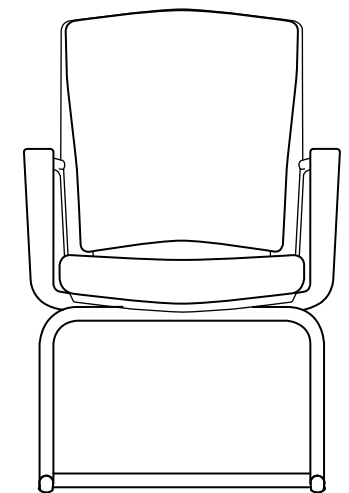
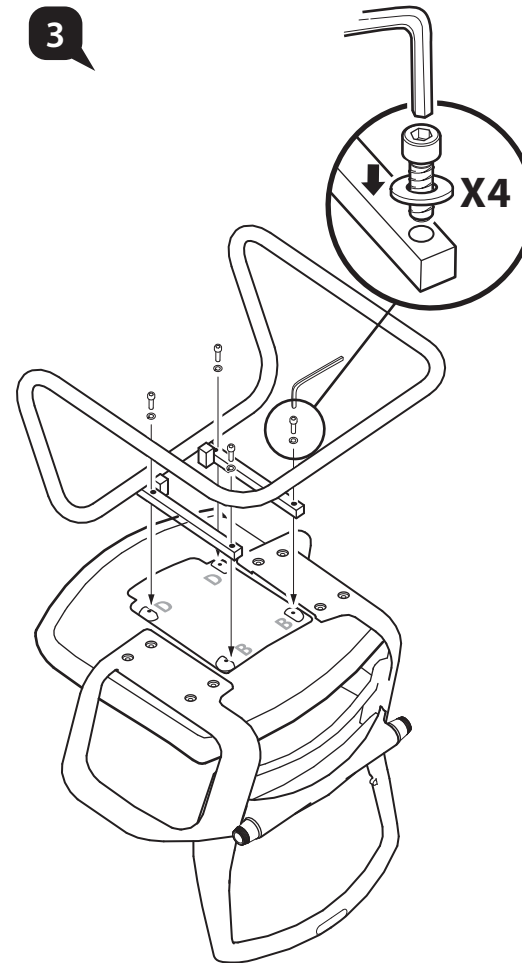
1



2



3



Fulkrum
model: P061 NA A34 S

User Instructions

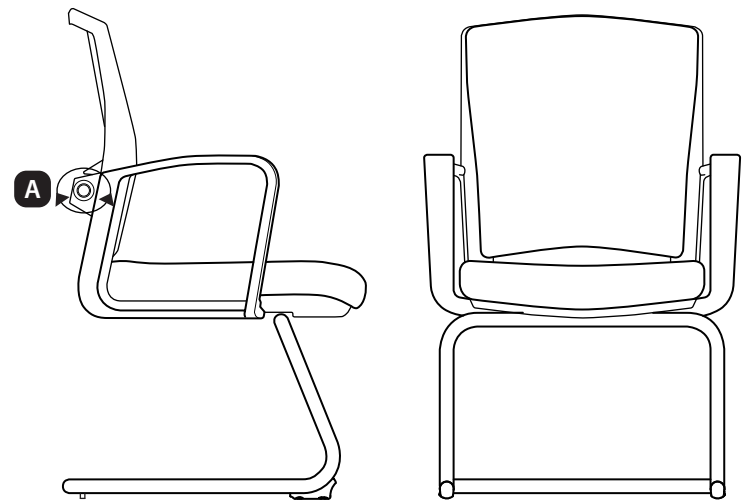
MERRYFAIR®

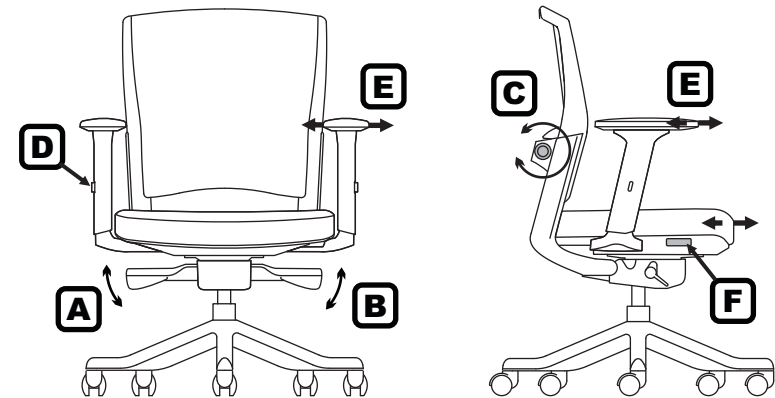
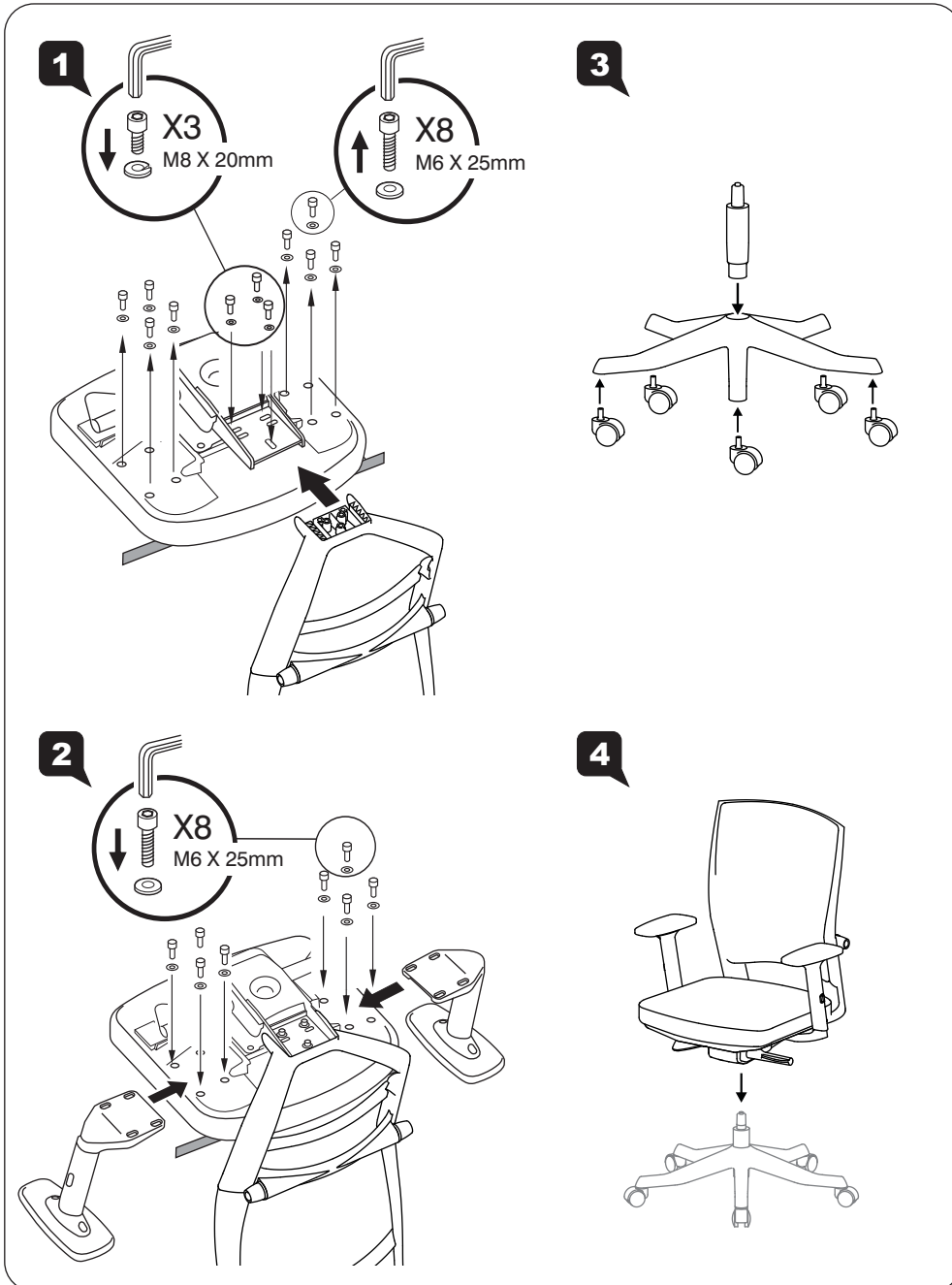
A *Adjustable Lumbar Depth*

Flip Turn knobs on either side back-frame to adjust depth of lumbar-support cushion. A slack mesh-back is normal and may be tensioned by adjusting the cushion forwards.

Fulkrum

model: P061 NA A34 S





- A Seat Height Adjustment**
Flip up lever on right-side to raise or lower seat. Adjust such that your feet are adequately supported on floor.
- B Multi-Position Tilt Lock**
Recline to desired position, and flip down lever on left-side to lock. Flip up lever and recline to release tilt-lock.
- C Lumbar Depth**
Turn knobs on either side of back-frame to adjust depth of lumbar-support cushion.
- D Armrest Height**
Push button to unlock armrest and raise or lower it to desired height, and release button to lock. Adjust such that elbows are resting on armpads without straining the shoulders.
- E Armpad Depth and Angle**
Grasp armpads and slide forwards or backwards, to match elbow position. Rotate them inwards or outwards to adjust elbow support to suite specific tasks. An inward position works during keyboard use, while an outward position is recommended during mousing.
- F Seat Depth**
Pull lever out to slide seat forward or backward to desired depth. Adjust such that the front edge is not pressing on to calves while your back is resting on backrest.

FULKRUM


MODEL : P068 YF B6S V

Lumber Support Adjustment




Turn in-ward to increase lumbar support

Armpad Adjustment




Swing & slide the arm pad to personal preference.

Backrest Tilting Adjustment



Pull up to free backrest tilting. Flip down to lock backrest tilting.

Arm Height / Width Adjustment



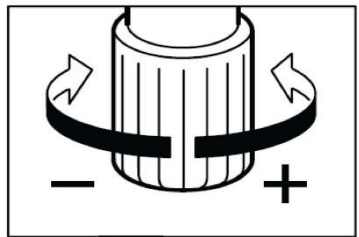
Press the button to adjust the arm height. Loosen & tighten the knob to adjust armrest width.

Seat Height Adjustment



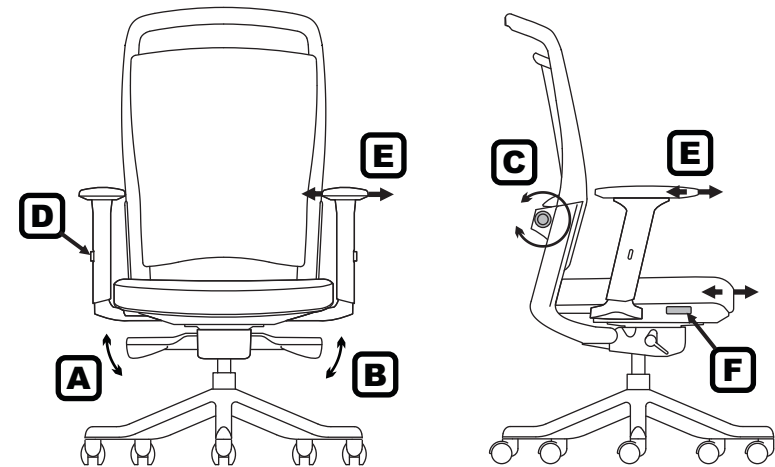
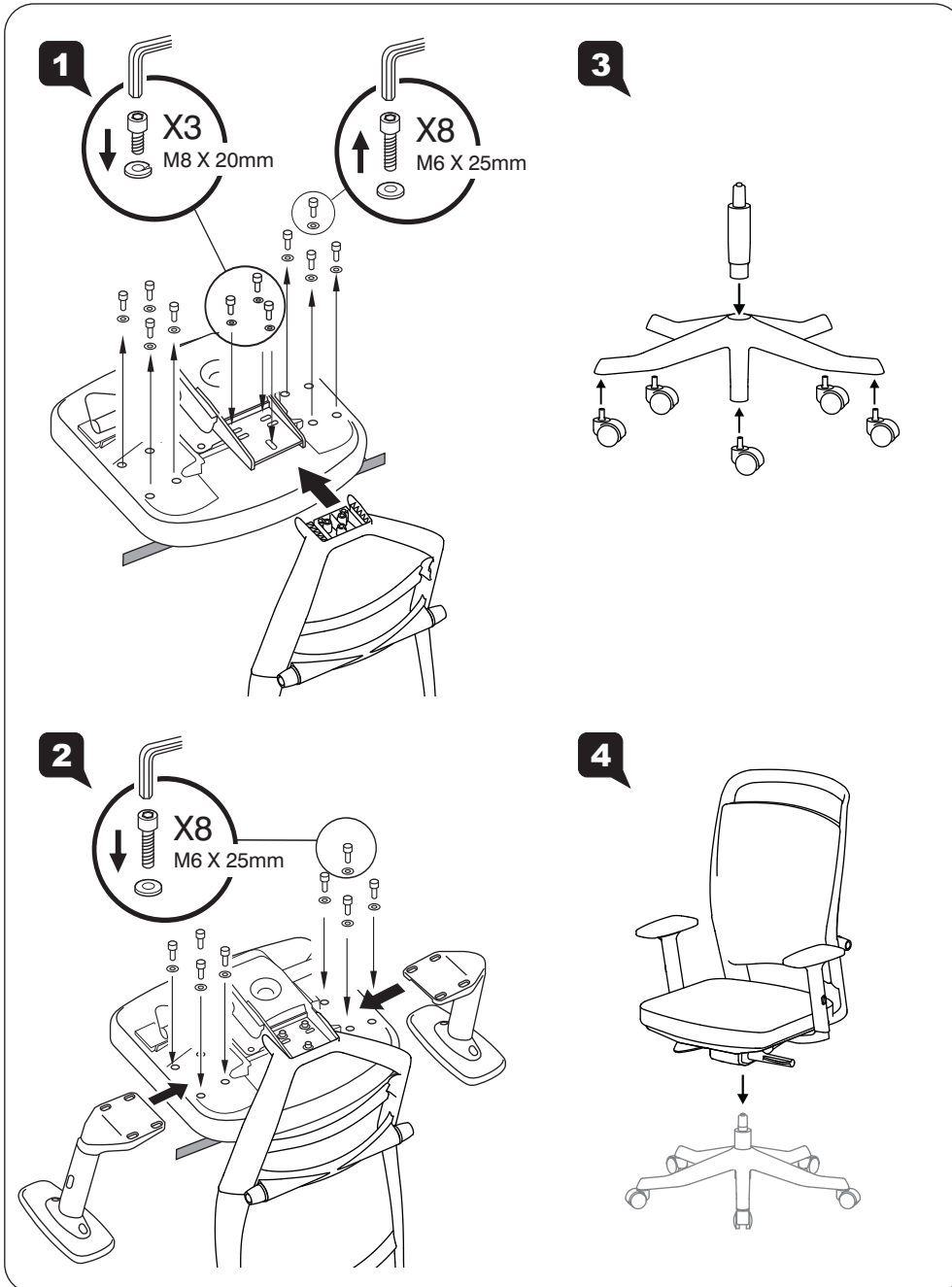
Flip up only ! To adjust seat height. (Do not flip down, this will damage the lever.)

Backrest Tilt Tension Adjustment

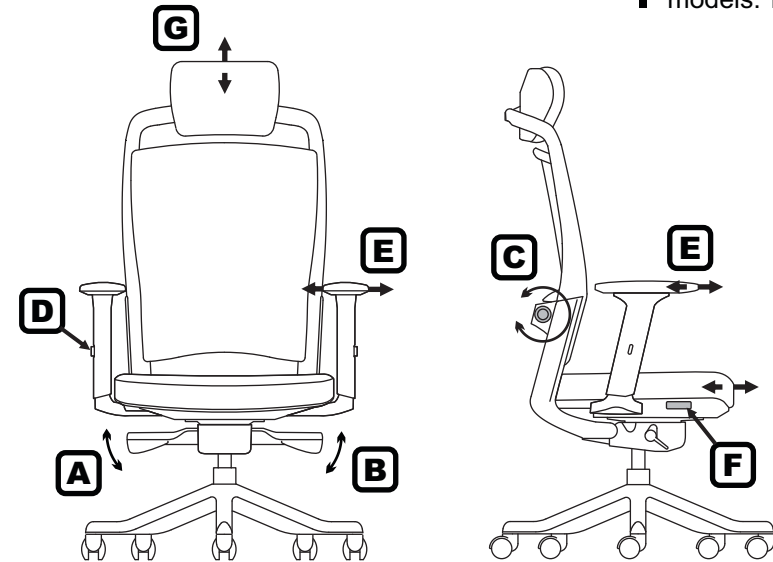
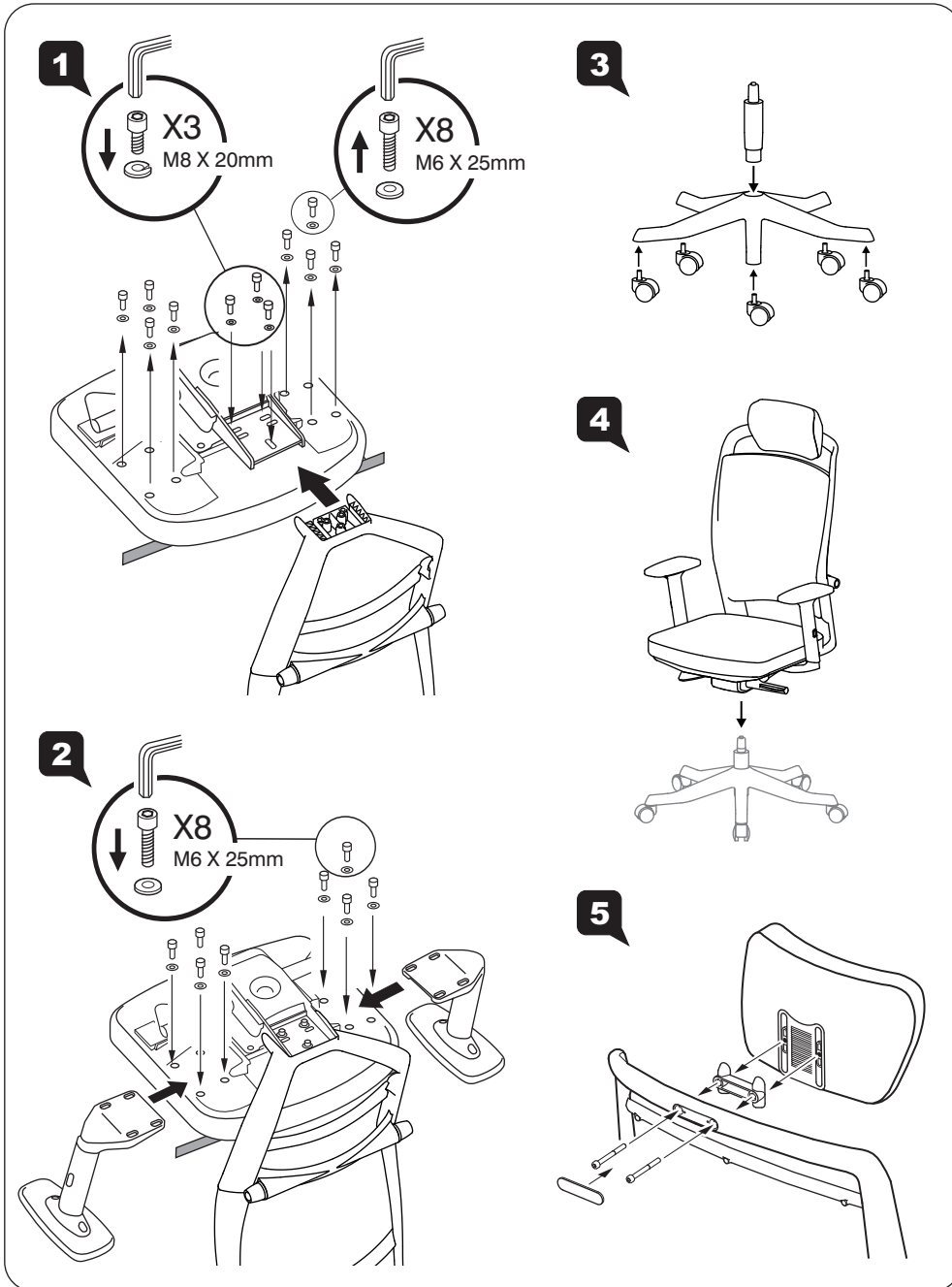


Turn clock-wise to increase backrest tilting tension.





- A Seat Height Adjustment**
Flip up lever on right-side to raise or lower seat. Adjust such that your feet are adequately supported on floor.
- B Multi-Position Tilt Lock**
Recline to desired position, and flip down lever on left-side to lock. Flip up lever and recline to release tilt-lock.
- C Lumbar Depth**
Turn knobs on either side of back-frame to adjust depth of lumbar-support cushion.
- D Armrest Height**
Push button to unlock armrest and raise or lower it to desired height, and release button to lock. Adjust such that elbows are resting on armpads without straining the shoulders.
- E Armpad Depth and Angle**
Grasp armpads and slide forwards or backwards, to match elbow position. Rotate them inwards or outwards to adjust elbow support to suite specific tasks. An inward position works during keyboard use, while an outward position is recommended during mousing.
- F Seat Depth**
Pull lever out to slide seat forward or backward to desired depth. Adjust such that the front edge is not pressing on to calves while your back is resting on backrest.

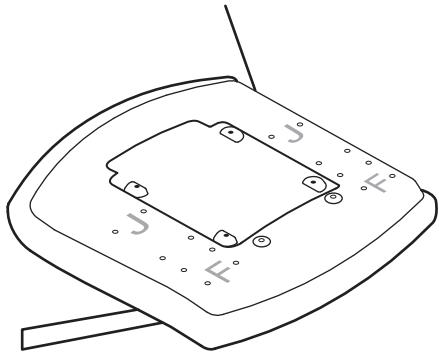


- A Seat Height Adjustment**
Flip up lever on right-side to raise or lower seat. Adjust such that your feet are adequately supported on floor.
- B Multi-Position Tilt Lock**
Recline to desired position, and flip down lever on left-side to lock. Flip up lever and recline to release tilt-lock.
- C Lumbar Depth**
Turn knobs on either side of back-frame to adjust depth of lumbar-support cushion.
- D Armrest Height**
Push button to unlock armrest and raise or lower it to desired height, and release button to lock. Adjust such that elbows are resting on armpads without straining the shoulders.
- E Armpad Depth and Angle**
Grasp armpads and slide forwards or backwards, to match elbow position. Rotate them inwards or outwards to adjust elbow support to suite specific tasks. An inward position works during keyboard use, while an outward position is recommended during mousing.
- F Seat Depth**
Pull lever out to slide seat forward or backward to desired depth. Adjust such that the front edge is not pressing on to calves while your back is resting on backrest.
- G Headrest Height**
Adjust height by holding both sides of headrest then pulling up or down to your desired height.

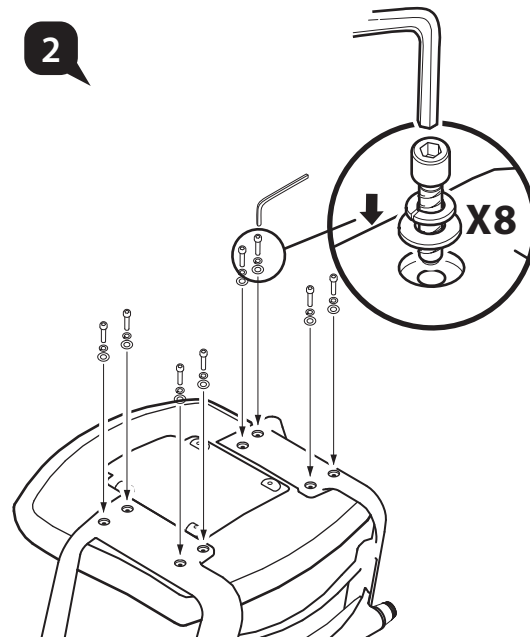
Assembly Instruction

MERRYFAIR®

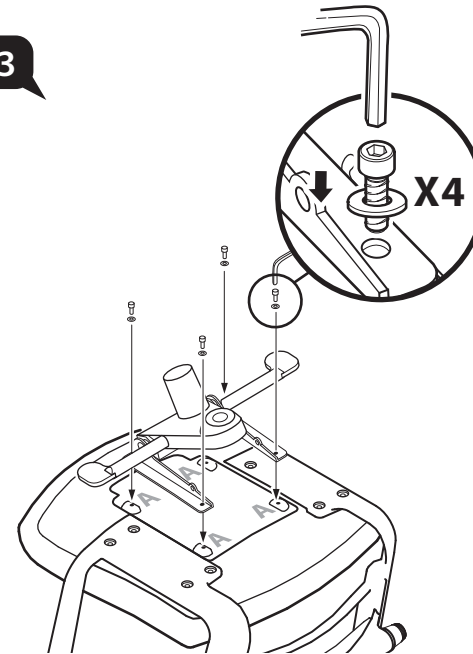
1



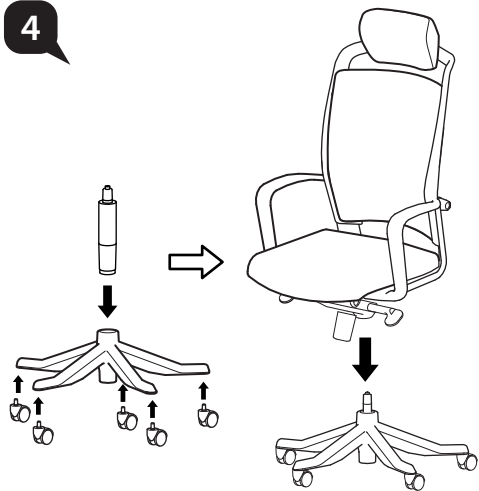
2



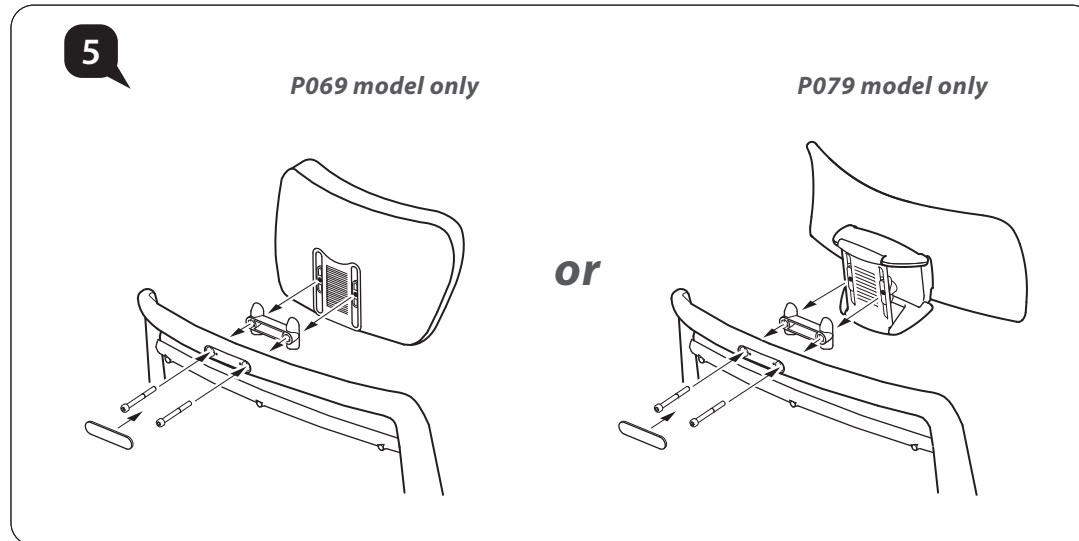
3



4

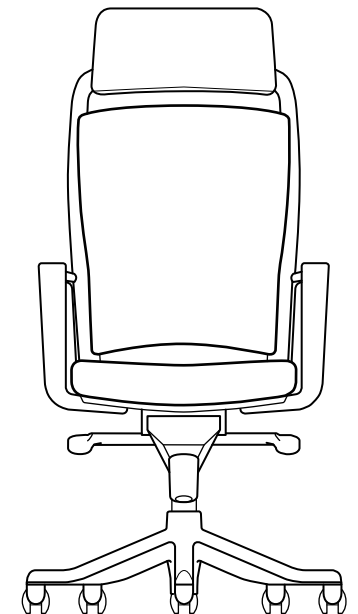


5



Fulkrum

models: P079 KT A34 V
P069 KT A34 V
P068 KT A34 V
P067 KT A34 V



User Instructions

MERRYFAIR®

A *Seat Height Adjustment*

Flip up lever on right-side to raise or lower set. Adjust such that your feet are adequately supported on floor.

B *Multi-Position Tilt Lock*

Recline to the desired position, and flip down lever on left-side to lock. Flip up lever, and recline backwards to release tilt-lock.

C *Tilt Tension Control*

Turn bottom knob clockwise to provide a stronger tilt tension, and vice-versa. Adjust such that minimum effort is required to push back when reclining.

D *Adjustable Lumbar Depth*

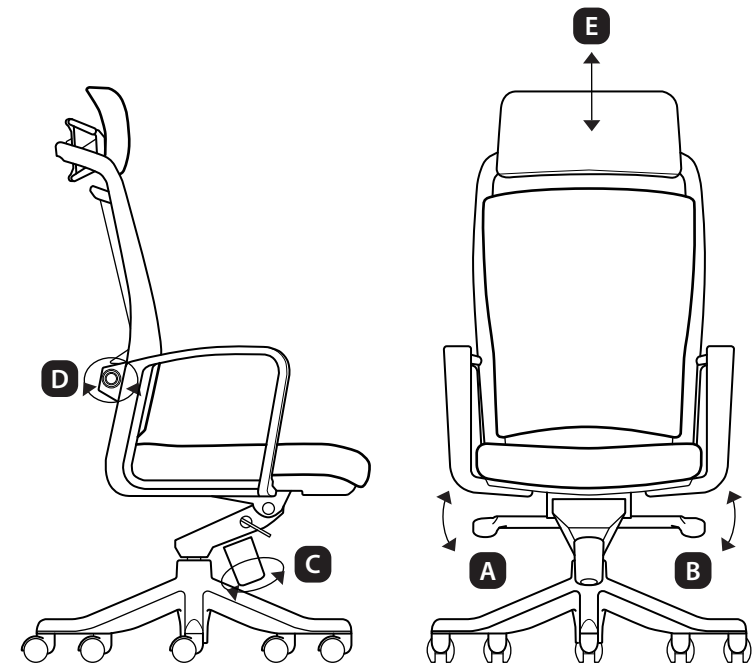
Turn knobs on either side of back-frame to adjust depth of lumbar-support cushion. A slack mesh-back is normal and may be tensioned by adjusting the cushion forwards.

E *Adjustable Headrest Height (P079 and P069 models only)*

Hold head-rest by both sides and pull up or push down to the desired height.

Fulkrum

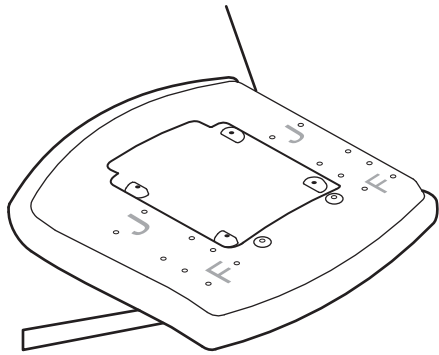
models: P079 KT A34 V
P069 KT A34 V
P068 KT A34 V
P067 KT A34 V



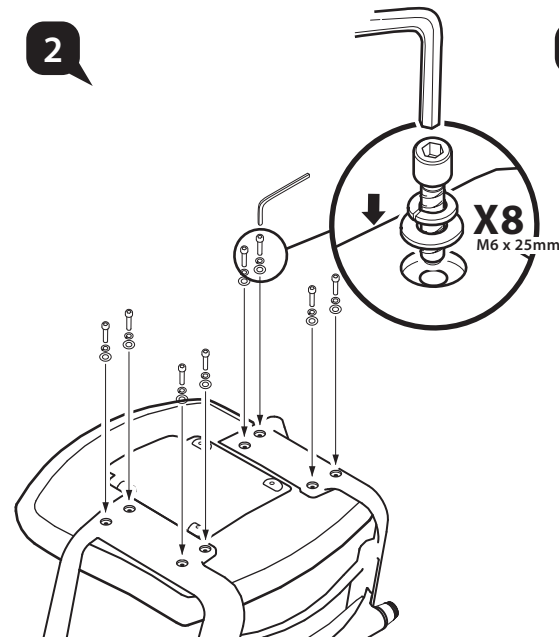
Assembly Instruction

MERRYFAIR®

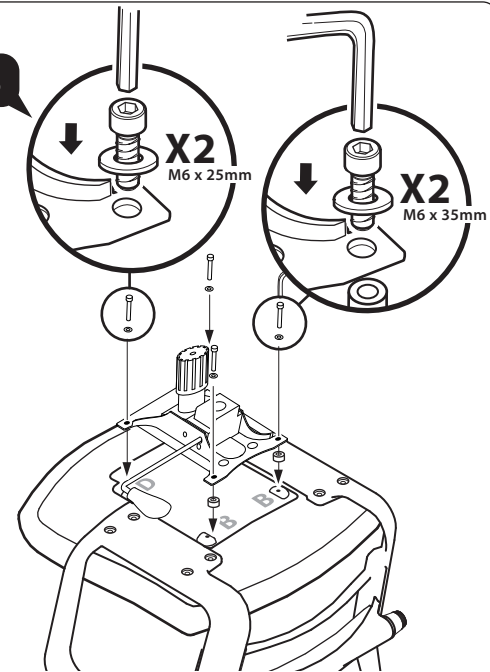
1



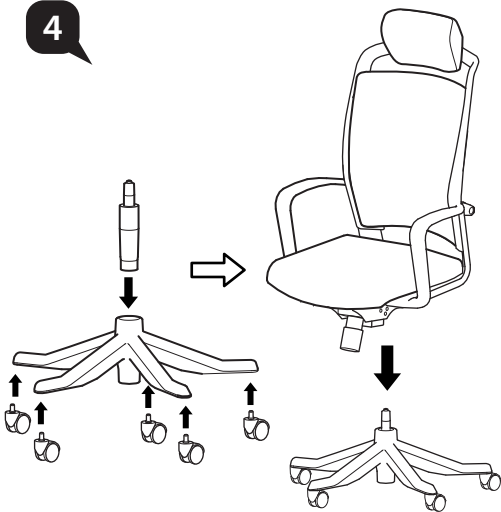
2



3

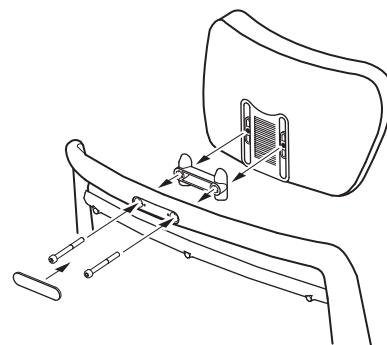


4



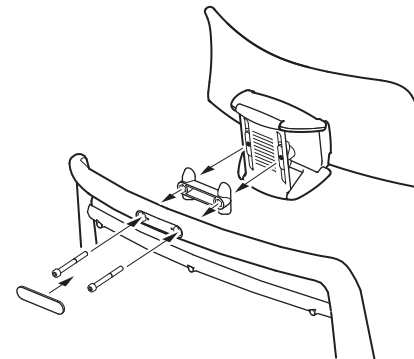
5

P069 model only



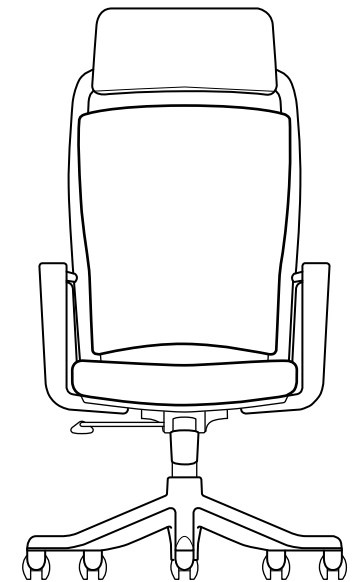
P079 model only

or



Fulkrum

models: P079 SH A34 V
P069 SH A34 V
P068 SH A34 V
P067 SH A34 V



User Instructions

MERRYFAIR®

A *Seat Height Adjustment*

Flip up lever on right-side to raise or lower set. Adjust such that your feet are adequately supported on floor.

B *Tilt Lock*

There are 2 locking positions. At up right position or recline to maximum, push in lever to lock. Pull out lever to release tilt-lock.

C *Tilt Tension Control*

Turn bottom knob clockwise to provide a stronger tilt tension, and vice-versa. Adjust such that minimum effort is required to push back when recline.

D *Adjustable Lumbar Depth*

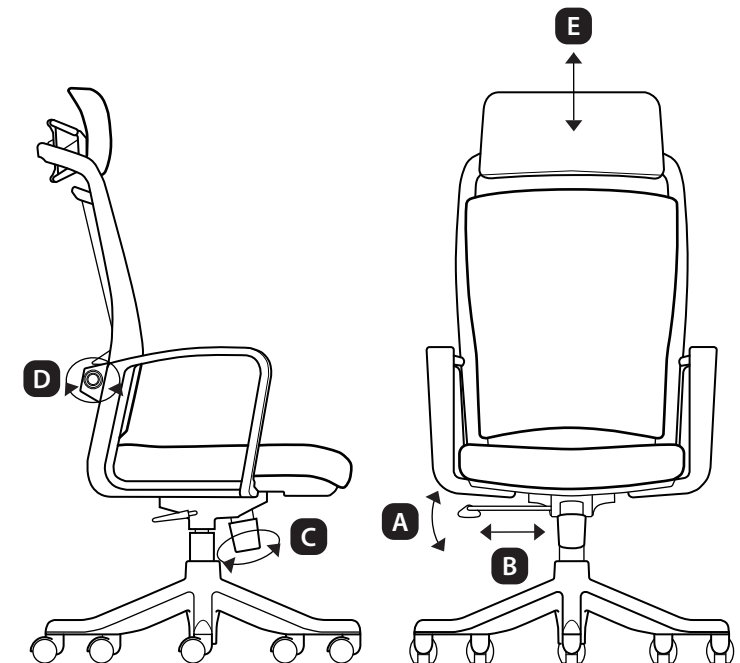
Turn knobs on either side of back-frame to adjust depth of lumbar-support cushion. A slack mesh-back is normal and may be tensioned by adjusting the cushion forwards.

E *Adjustable Headrest Height (P079 and P069 models only)*

Hold head-rest by both sides and pull up or push down to the desired height.

Fulkrum

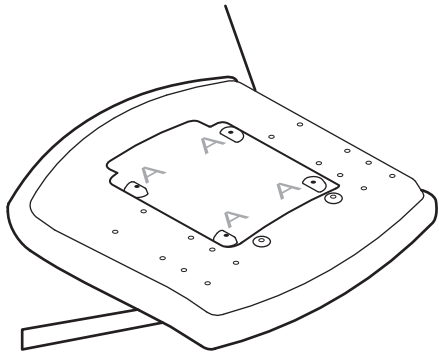
models: P079 SH A34 V
P069 SH A34 V
P068 SH A34 V
P067 SH A34 V



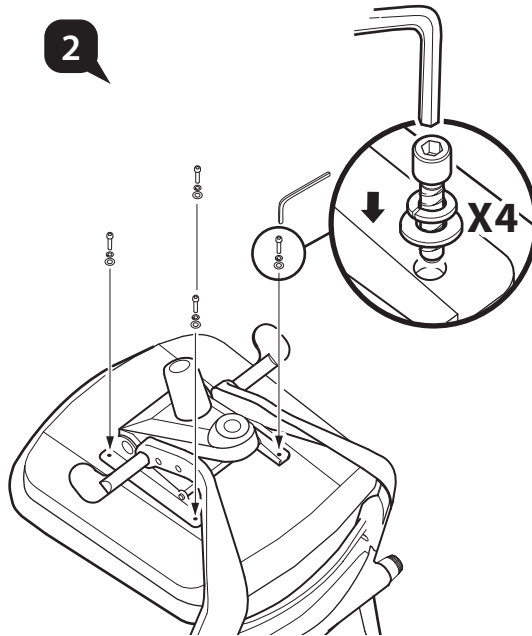
Assembly Instruction

MERRYFAIR®

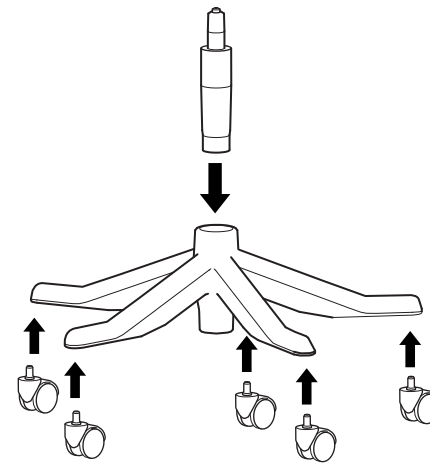
1



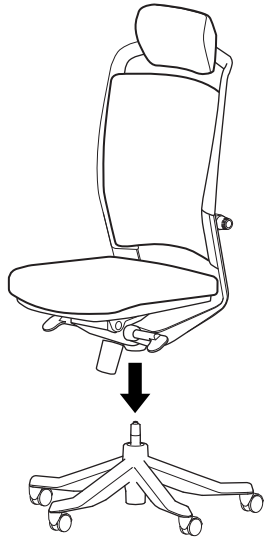
2



3

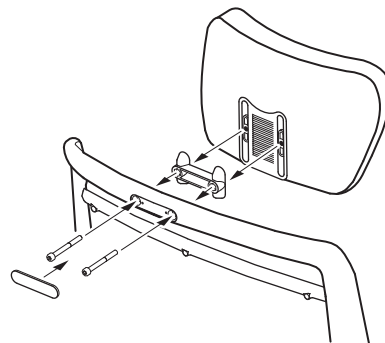


4



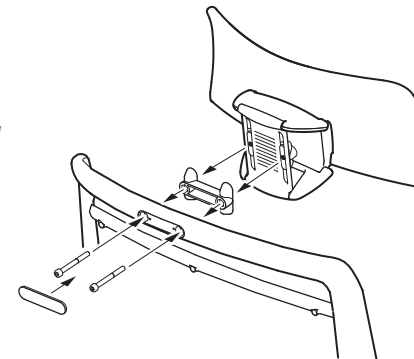
5

P069 model only



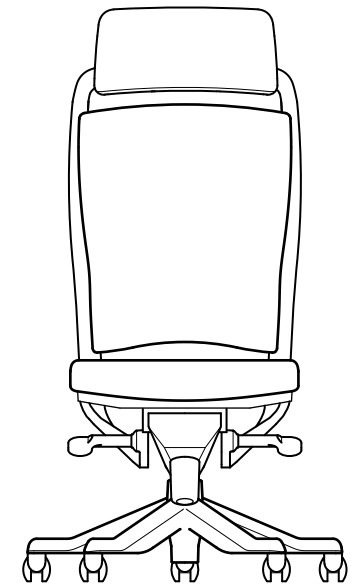
P079 model only

or



Fulkrum

models: P079 YF A00 V
P069 YF A00 V
P068 YF A00 V
P067 YF A00 V



User Instructions

MERRYFAIR®

A *Seat Height Adjustment*

Flip up lever on right-side to raise or lower set. Adjust such that your feet are adequately supported on floor.

B *Multi-Position Tilt Lock*

Recline to the desired position, and flip down lever on left-side to lock. Flip up lever, and recline backwards to release tilt-lock.

C *Tilt Tension Control*

Turn bottom knob clockwise to provide a stronger tilt tension, and vice-versa. Adjust such that minimum effort is required to push back when reclining.

D *Adjustable Lumbar Depth*

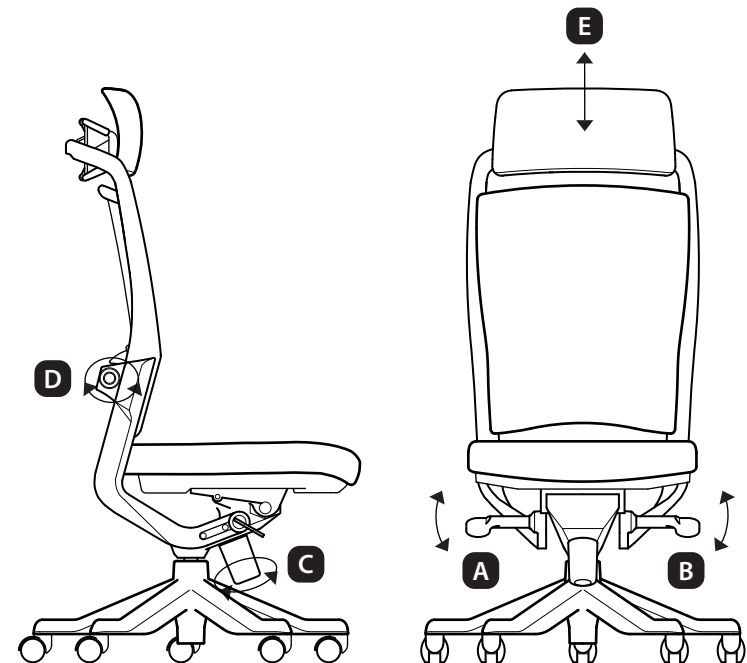
Turn knobs on either side of back-frame to adjust depth of lumbar-support cushion. A slack mesh-back is normal and may be tensioned by adjusting the cushion forwards.

E *Adjustable Headrest Height (P079 and P069 models only)*

Hold head-rest by both sides and pull up or push down to the desired height.

Fulkrum

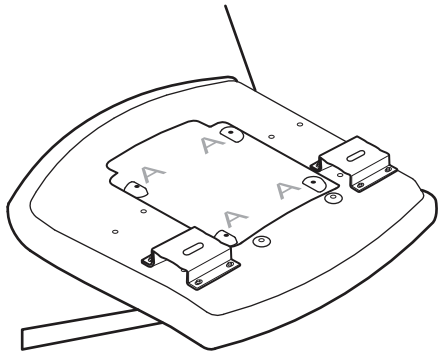
models: P079 YF A00 V
P069 YF A00 V
P068 YF A00 V
P067 YF A00 V



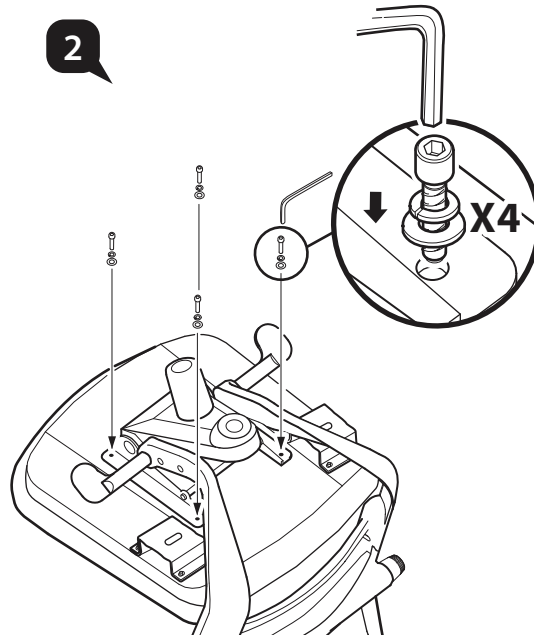
Assembly Instruction

MERRYFAIR®

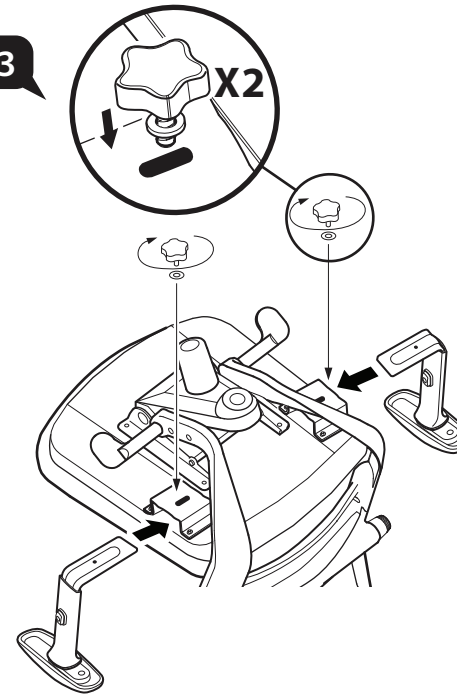
1



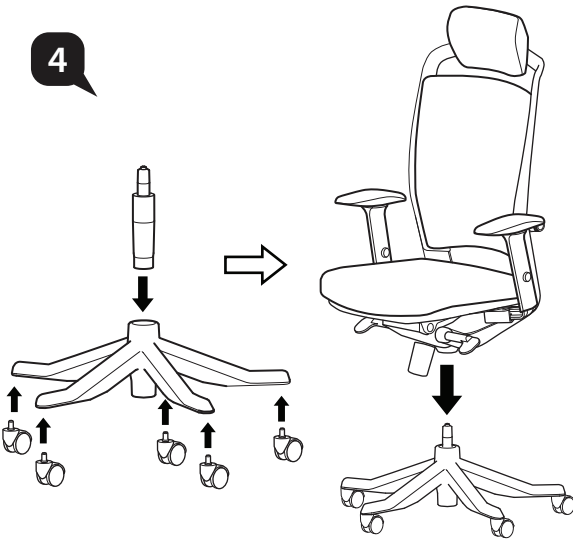
2



3

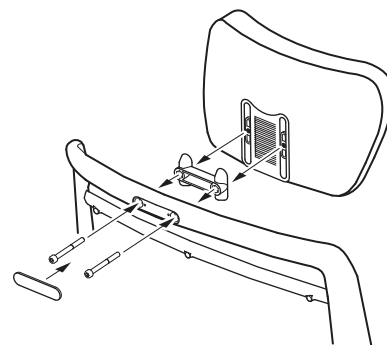


4



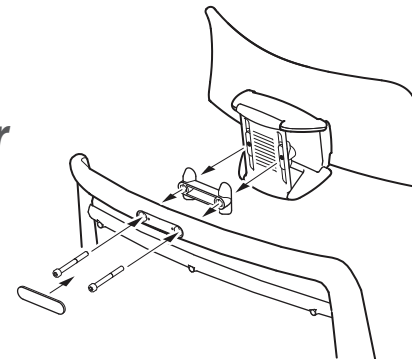
5

P069 model only



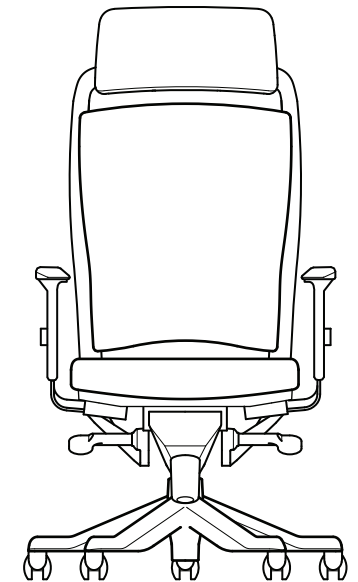
P079 model only

or



Fulkrum

models: P079 YF B6S V
P069 YF B6S V
P068 YF B6S V
P067 YF B6S V



User Instructions

MERRYFAIR®

A *Seat Height Adjustment*

Flip up lever on right-side to raise or lower set. Adjust such that your feet are adequately supported on floor.

B *Multi-Position Tilt Lock*

Recline to the desired position, and flip down lever on left-side to lock. Flip up lever, and recline backwards to release tilt-lock.

C *Tilt Tension Control*

Turn bottom knob clockwise to provide a stronger tilt tension, and vice-versa. Adjust such that minimum effort is required to push back when reclining.

D *Adjustable Lumbar Depth*

Turn knobs on either side of back-frame to adjust depth of lumbar-support cushion. A slack mesh-back is normal and may be tensioned by adjusting the cushion forwards.

E *Armrest Height*

Press the button and raise or lower the armrest. Adjust height to adequately support elbows to take strain off shoulders.

F *Armrest Depth*

Grasp armpads and push them forwards or backwards to suit your arm support.

G *Armpad Angle*

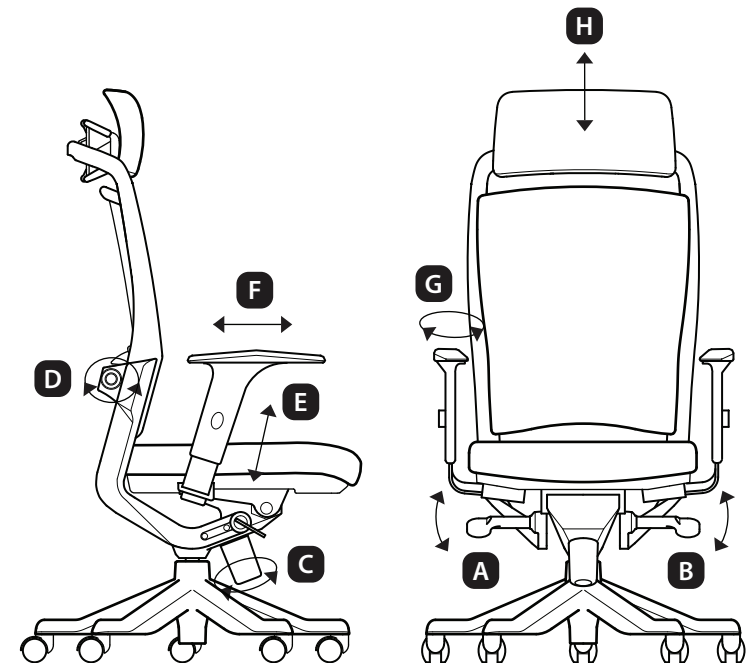
Grasp armpads and rotate them inwards or outwards to adjust elbow support to suit specific tasks. An inward position works during keyboard use, while an outward position is recommended during mousing.

H *Adjustable Headrest Height (P079 and P069 models only)*

Hold head-rest by both sides and pull up or push down to the desired height.

Fulkrum

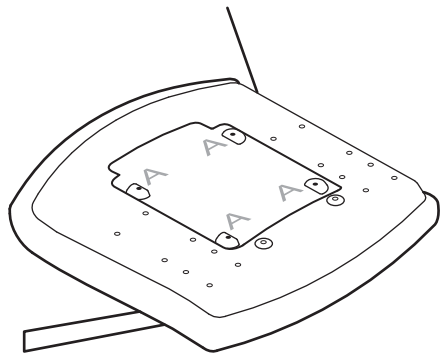
models: P079 YF B6S V
P069 YF B6S V
P068 YF B6S V
P067 YF B6S V



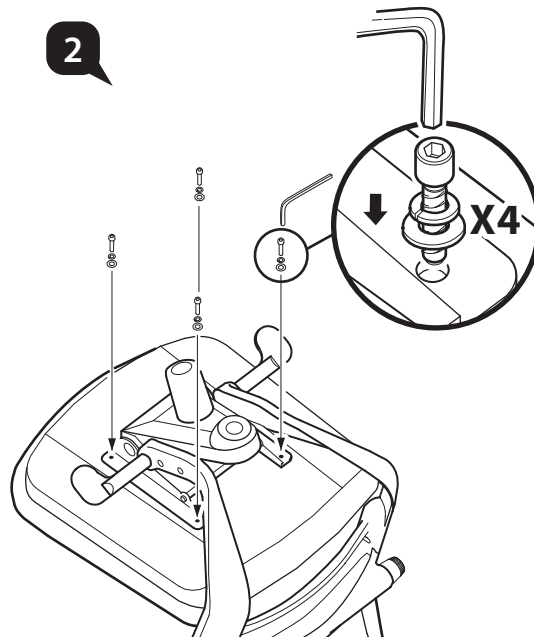
Assembly Instruction

MERRYFAIR®

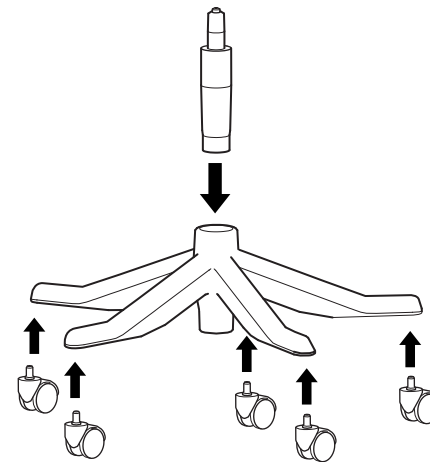
1



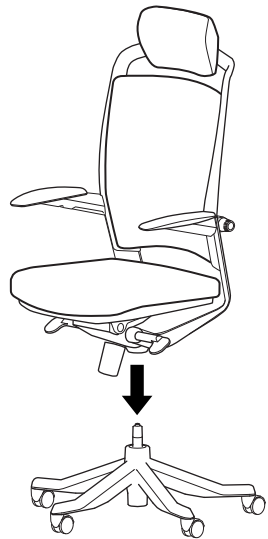
2



3

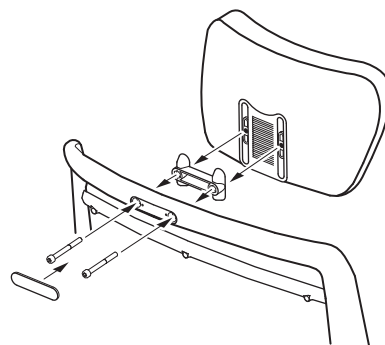


4



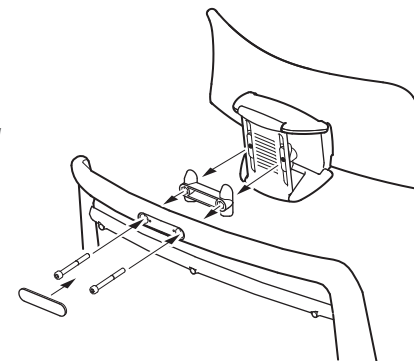
5

P069 model only



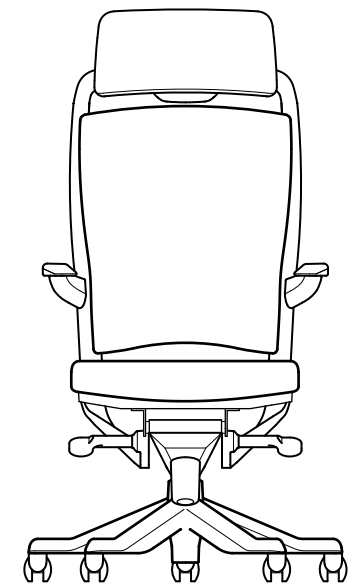
or

P079 model only



Fulkrum

models: P079 YF B23 V
P069 YF B23 V
P068 YF B23 V
P067 YF B23 V



User Instructions

MERRYFAIR®

A *Seat Height Adjustment*

Flip up lever on right-side to raise or lower set. Adjust such that your feet are adequately supported on floor.

B *Multi-Position Tilt Lock*

Recline to the desired position, and flip down lever on left-side to lock. Flip up lever, and recline backwards to release tilt-lock.

C *Tilt Tension Control*

Turn bottom knob clockwise to provide a stronger tilt tension, and vice-versa. Adjust such that minimum effort is required to push back when reclining.

D *Adjustable Lumbar Depth*

Turn knobs on either side of back-frame to adjust depth of lumbar-support cushion. A slack mesh-back is normal and may be tensioned by adjusting the cushion forwards.

E *Adjustable Arm-pads*

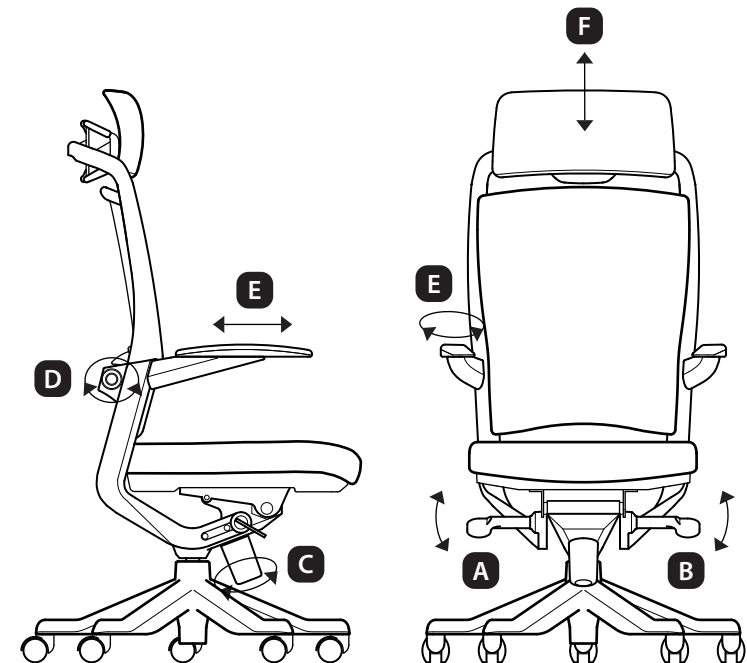
Arm-pads can be repositioned to front or back, and swivelled into desired position.

F *Adjustable Headrest Height (P079 and P069 models only)*

Hold head-rest by both sides and pull up or push down to the desired height.

Fulkrum

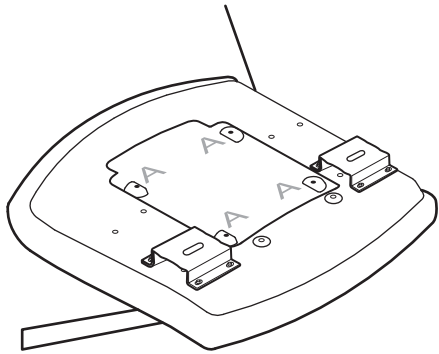
models: P079 YF B23 V
P069 YF B23 V
P068 YF B23 V
P067 YF B23 V



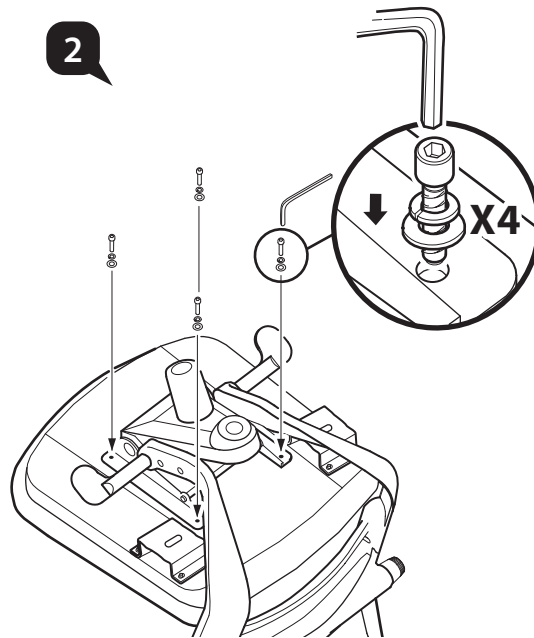
Assembly Instruction

MERRYFAIR®

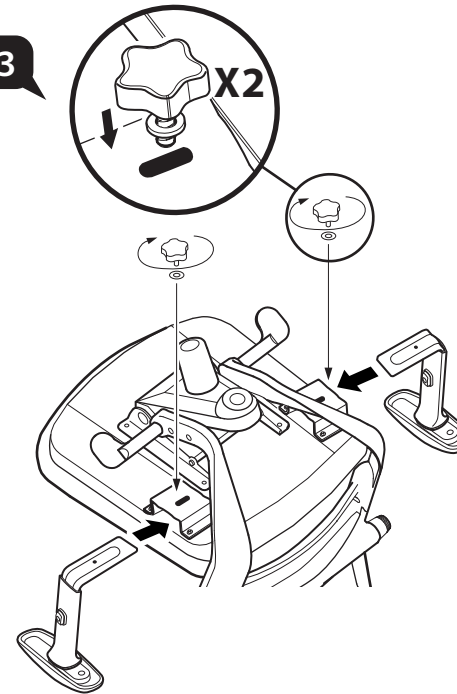
1



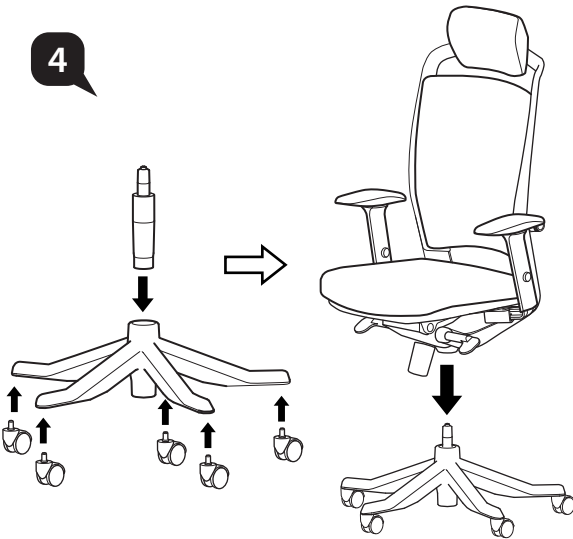
2



3

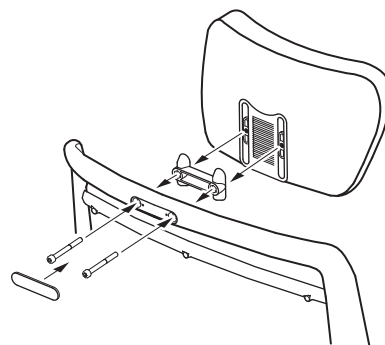


4



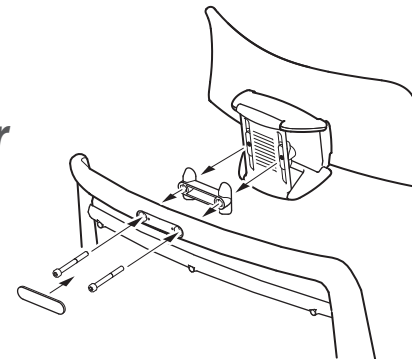
5

P069 model only



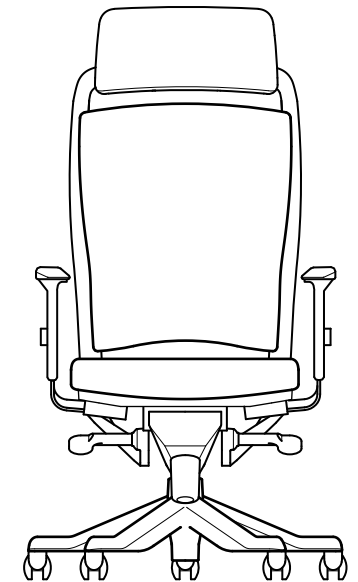
P079 model only

or



Fulkrum

models: P079 YF B48 V
P069 YF B48 V
P068 YF B48 V
P067 YF B48 V



User Instructions

MERRYFAIR®

A *Seat Height Adjustment*

Flip up lever on right-side to raise or lower set. Adjust such that your feet are adequately supported on floor.

B *Multi-Position Tilt Lock*

Recline to the desired position, and flip down lever on left-side to lock. Flip up lever, and recline backwards to release tilt-lock.

C *Tilt Tension Control*

Turn bottom knob clockwise to provide a stronger tilt tension, and vice-versa. Adjust such that minimum effort is required to push back when reclining.

D *Adjustable Lumbar Depth*

Turn knobs on either side of back-frame to adjust depth of lumbar-support cushion. A slack mesh-back is normal and may be tensioned by adjusting the cushion forwards.

E *Armrest Height*

Press the button and raise or lower the armrest. Adjust height to adequately support elbows to take strain off shoulders.

F *Armrest Depth*

Grasp armpads and push them forwards or backwards to suit your arm support.

G *Armpad Angle*

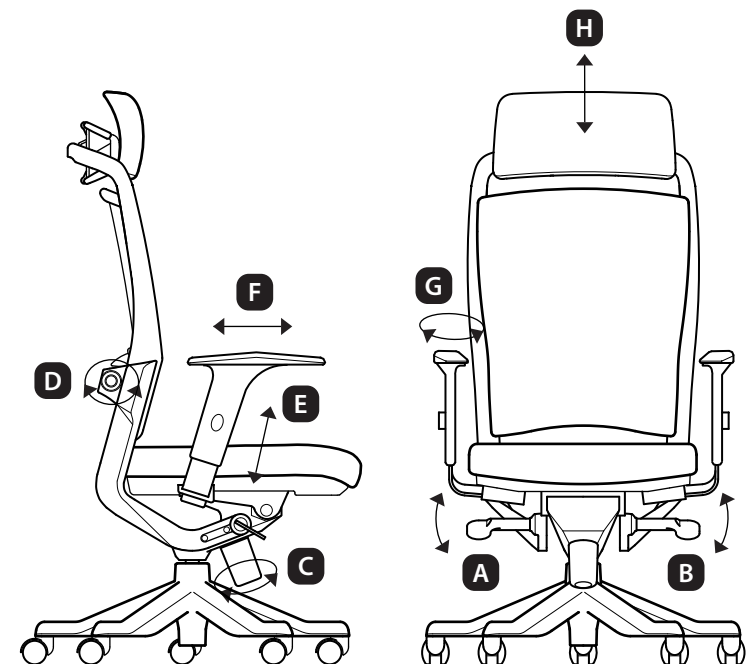
Grasp armpads and rotate them inwards or outwards to adjust elbow support to suit specific tasks. An inward position works during keyboard use, while an outward position is recommended during mousing.

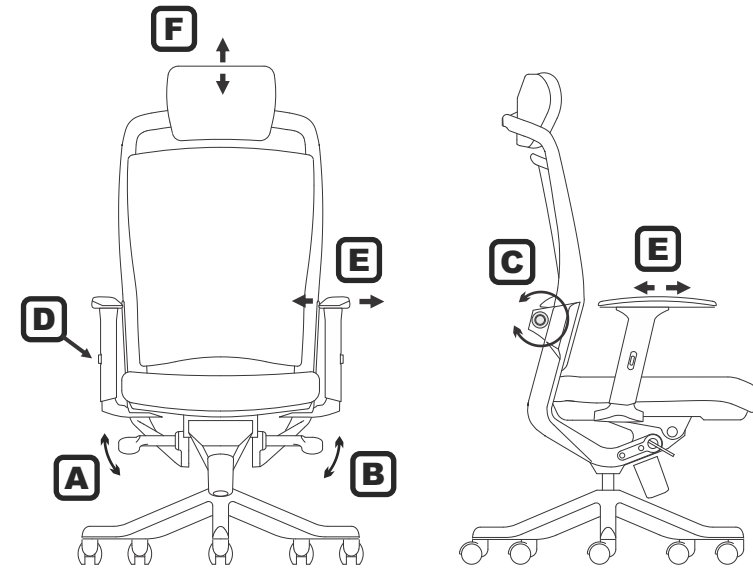
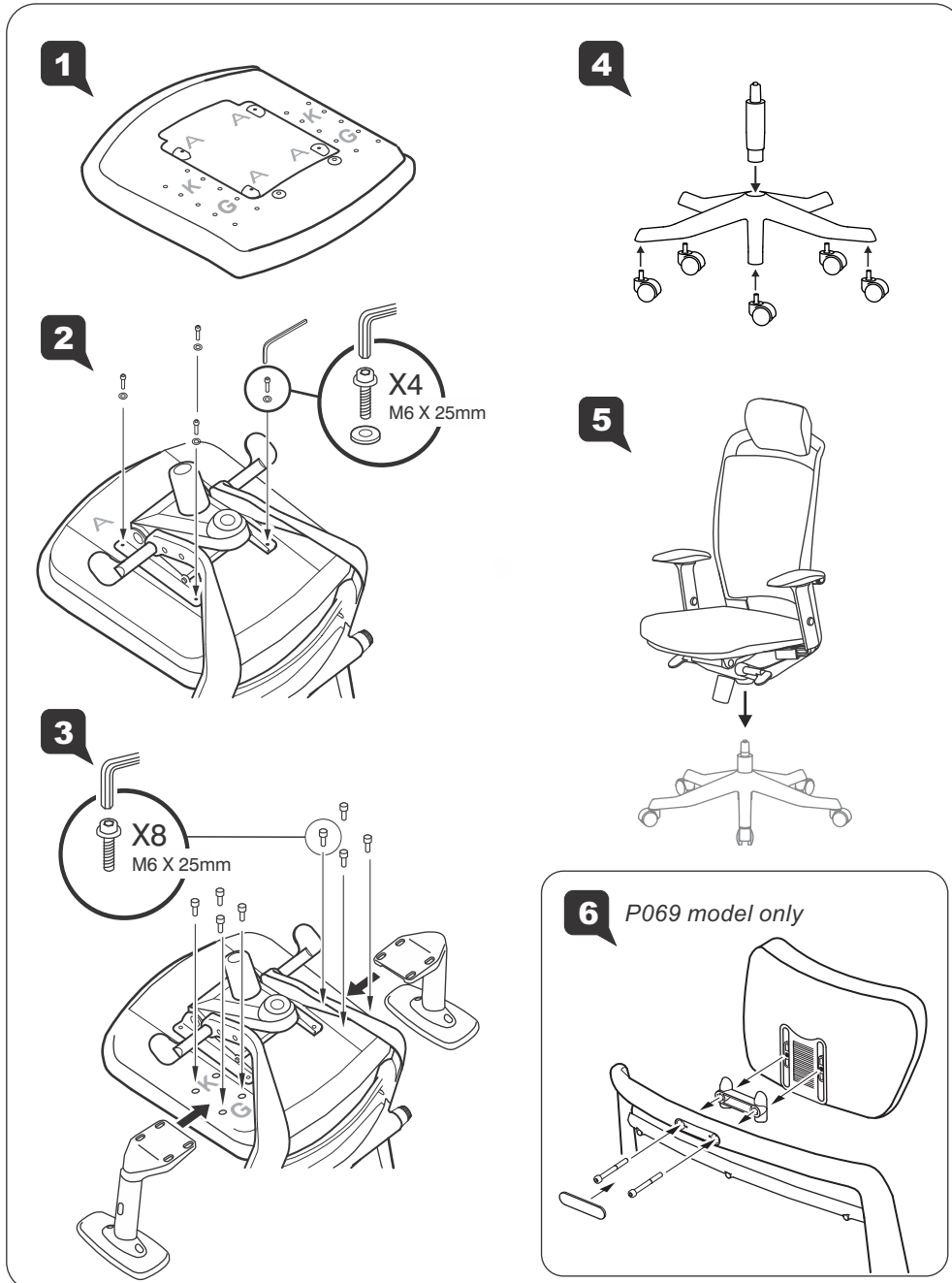
H *Adjustable Headrest Height (P079 and P069 models only)*

Hold head-rest by both sides and pull up or push down to the desired height.

Fulkrum

models: P079 YF B48 V
P069 YF B48 V
P068 YF B48 V
P067 YF B48 V





- A Seat Height Adjustment**
Flip up lever on right-side to raise or lower seat. Adjust such that your feet are adequately supported on floor.
- B Multi-Position Tilt Lock**
Recline to desired position, and flip down lever on left-side to lock. Flip up lever and recline to release tilt-lock.
- C Lumbar Depth**
Turn knobs on either side of back-frame to adjust depth of lumbar-support cushion.
- D Armrest Height**
Push button to unlock armrest and raise or lower it to desired height, and release button to lock. Adjust such that elbows are resting on armpads without straining the shoulders.
- E Armpad Depth and Angle**
Grasp armpads and slide forwards or backwards, to match elbow position. Rotate them inwards or outwards to adjust elbow support to suite specific tasks. An inward position works during keyboard use, while an outward position is recommended during mousing.
- G Headrest Height (P069 model only)**
Adjust height by holding both sides of headrest then pulling up or down to your desired height.