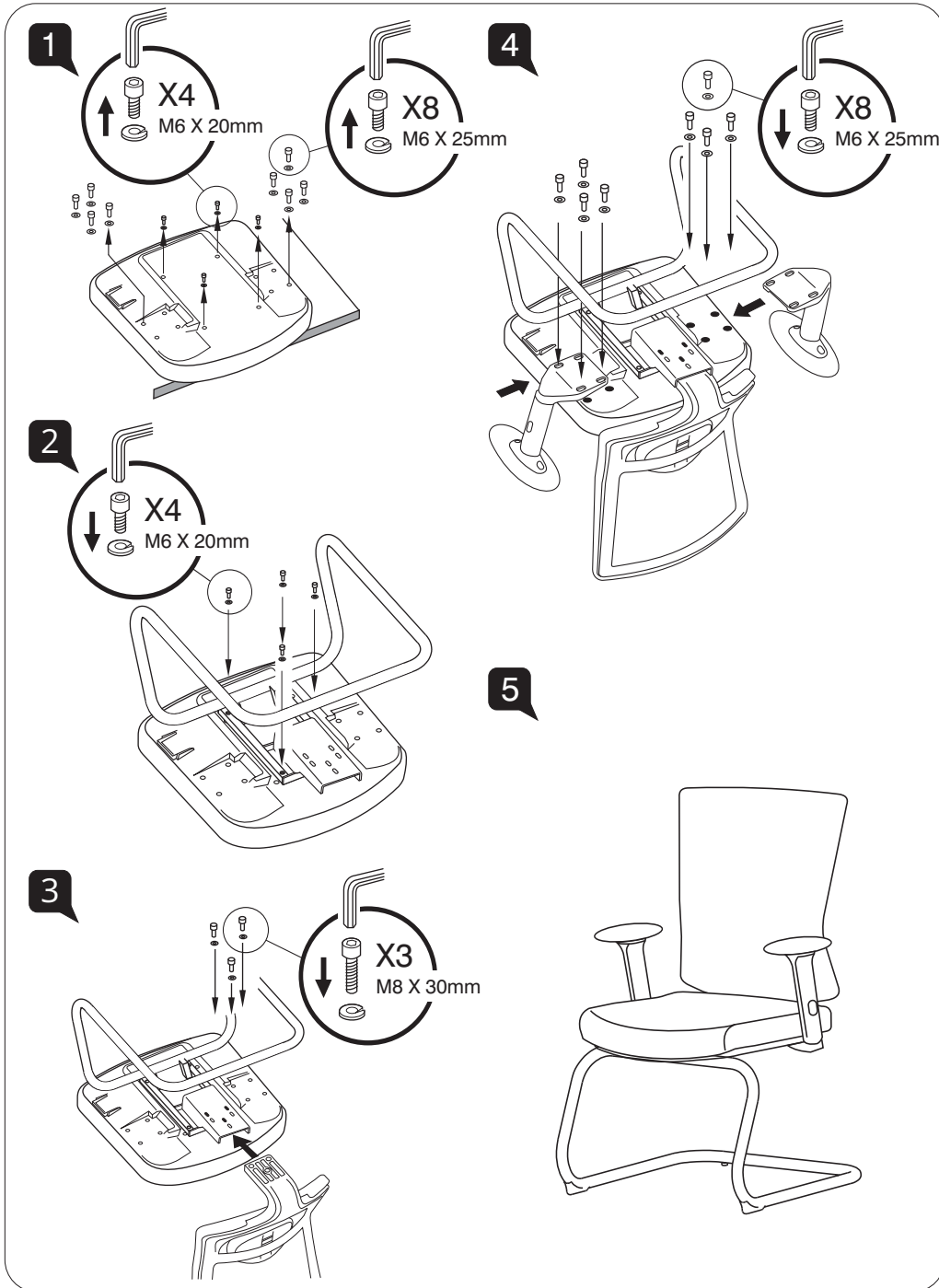


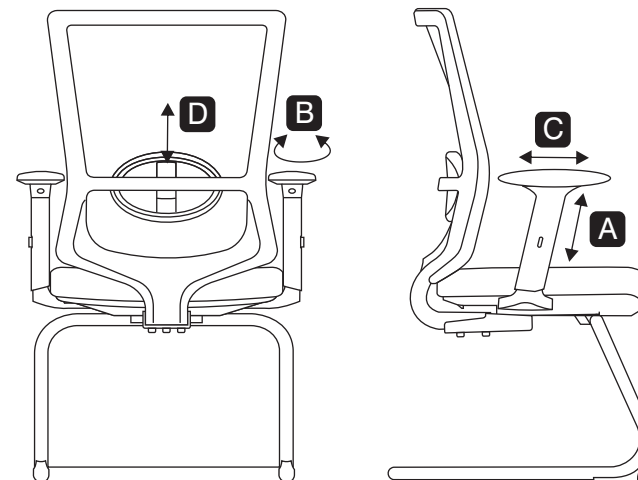
Assembly Instruction



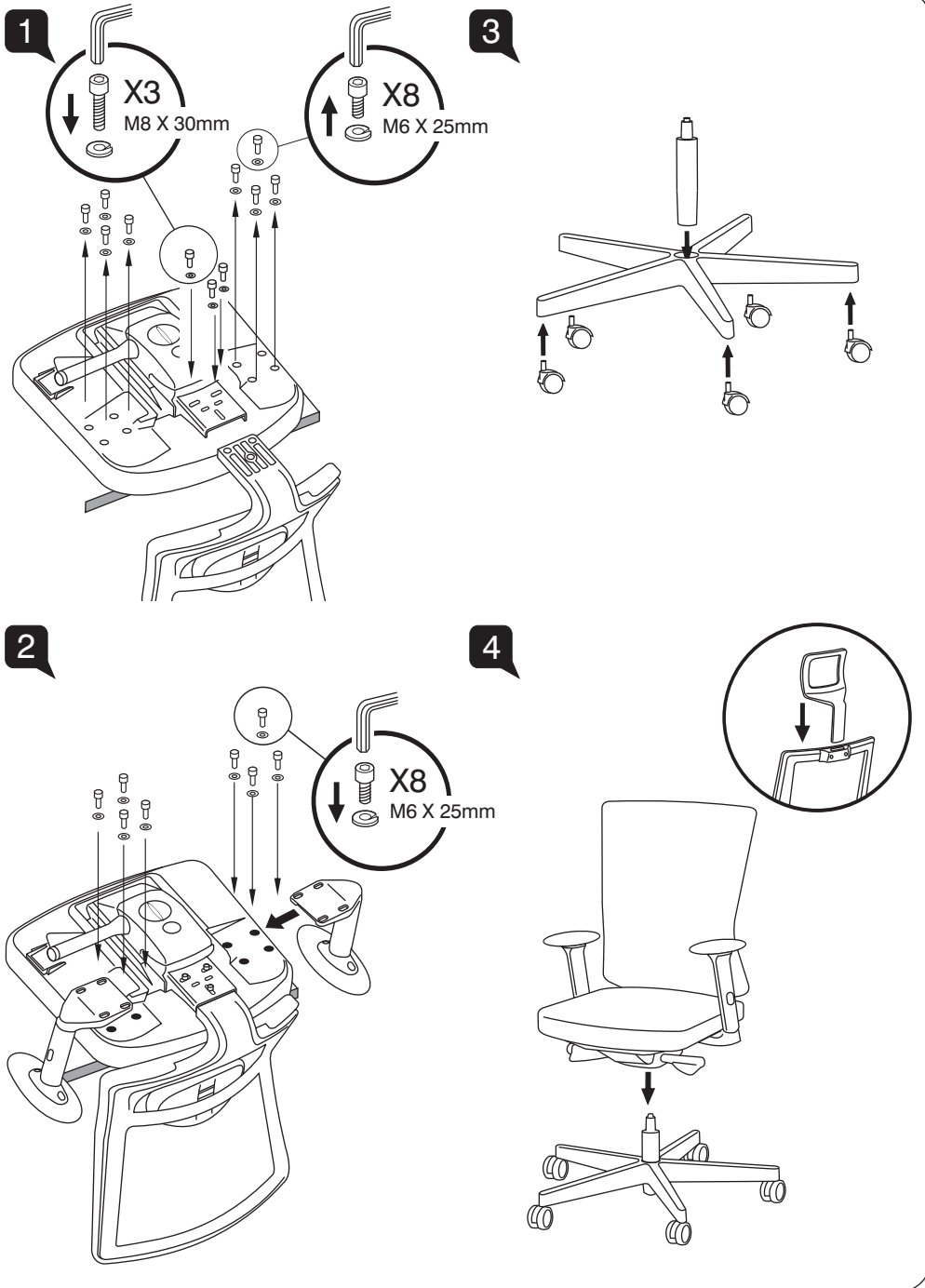
FORTE Models 961 NA A69 B

User Instructions

- A Armrest Height**
Press the button and raise or lower the armrest. Adjust height to adequately support elbows to take strain off shoulders.
- B Armpad Angle**
Grasp armpads and rotate them inwards or outwards to adjust elbow support to suite specific tasks. An inward position works during keyboard use, while an outward position is recommended during mousing.
- C Armrest Depth**
Grasp armpads and push them forwards and backwards to suite your arm support.
- D Lumbar Height Adjustment**
Slide the lumbar support up or down for desired lumbar position.



Assembly Instruction

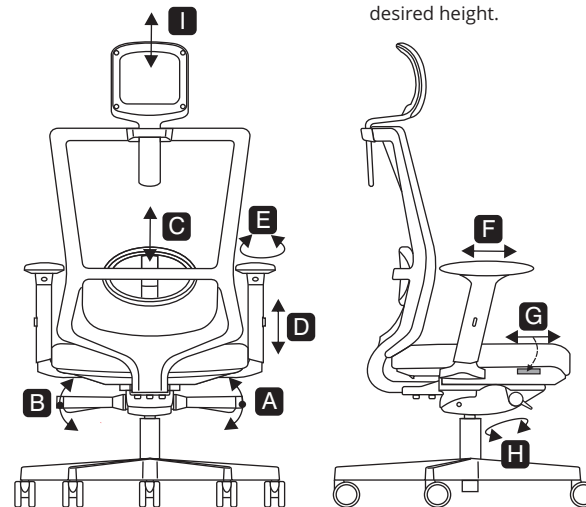


FORTE

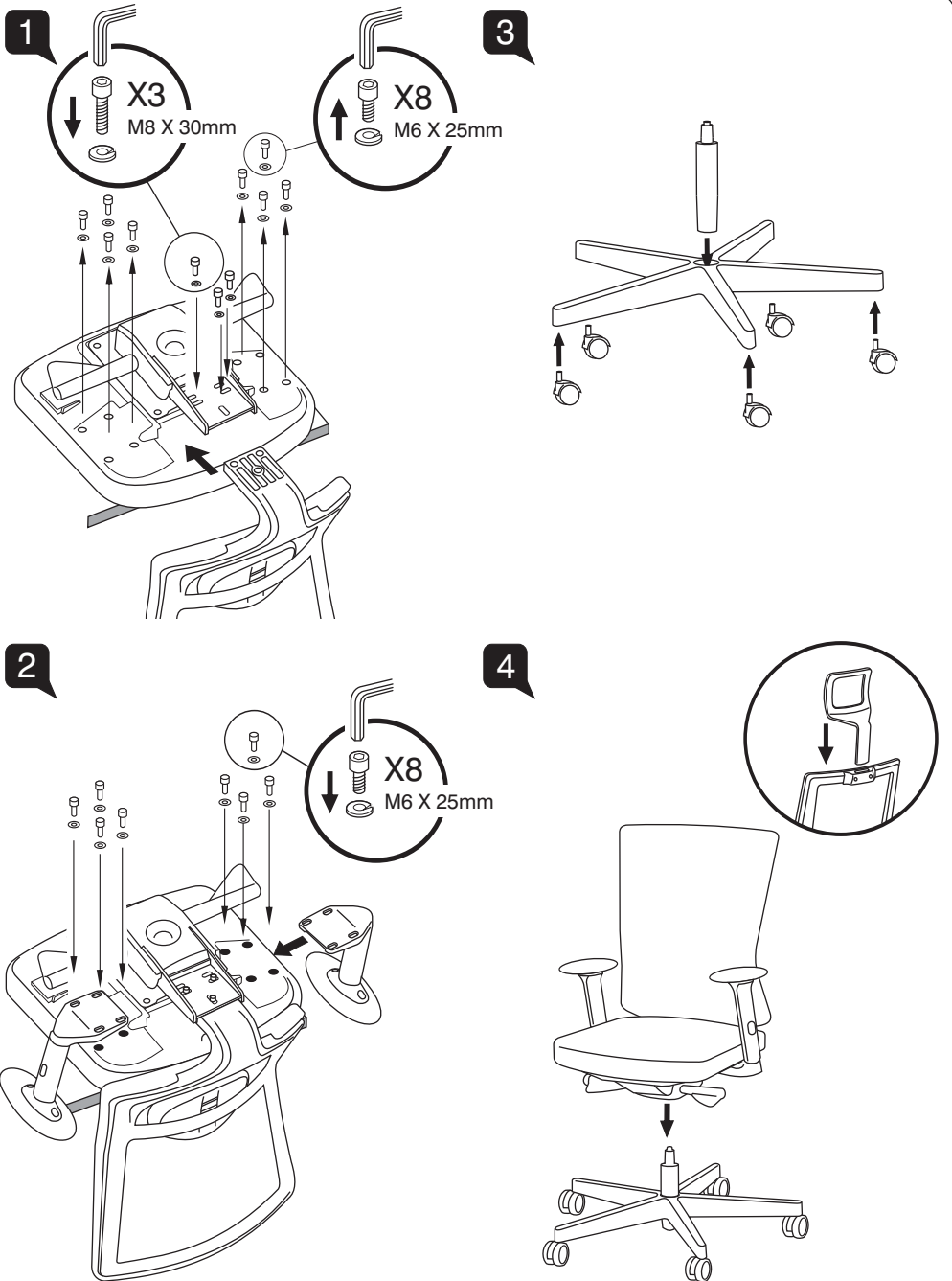
Models
969 YK A69 NP
968 YK A69 NP

User Instructions

- A Seat Height Adjustable**
Flip up lever on right-side to raise or lower seat. Adjust such that your feet are adequately supported on floor.
- B Multi-Position Tilt Lock**
Recline to desired position, and flip down lever to lock. Flip up lever to release tilt-lock.
- C Lumbar Height Adjustment**
Slide the lumbar support up or down for desired lumbar position.
- D Armrest Height**
Press the button and raise or lower the armrest. Adjust height to adequately support elbows to take strain off shoulders.
- E Armpad Angle**
Grasp armpads and rotate them inwards or outwards to adjust elbow support to suite specific tasks. An inward position works during keyboard use, while an outward position is recommended during mousing.
- F Armrest Depth**
Grasp armpads and push them forwards and backwards to suite your arm support.
- G Seat Depth Adjustment**
Pull the lever under the right-side of the seat to adjust fore and aft position.
- H Tilt Tension fine adjust**
This chair is equipped with an auto-weight sensing Tilt-Tension mechanism. Recline force is automatically adjusted between different users. However, this can be further fine-tuned to suit individual preference by a bottom knob. Turn clockwise to slightly increase tilt tension. and vise versa.
- I Headrest Height (Only applicable for 969 model)**
Adjust height by holding both sides of headrest and pull up or down to your desired height.



Assembly Instruction



FORTE

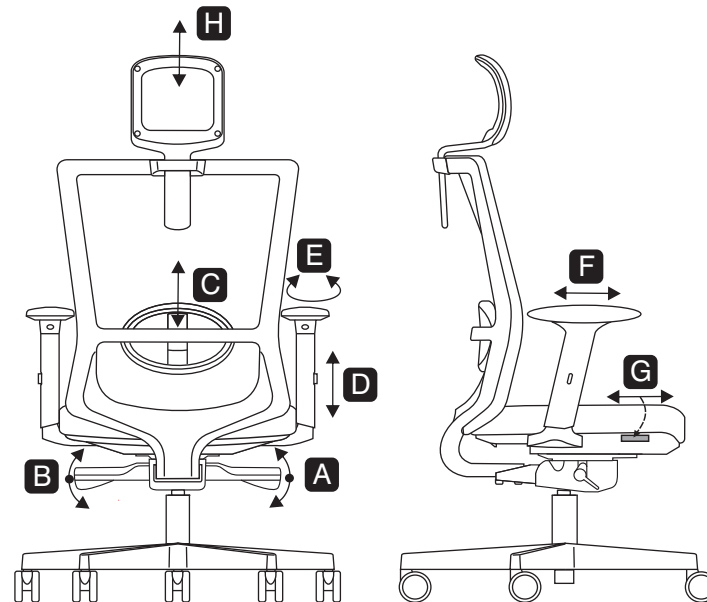
Models

969 YM A69 NP

968 YM A69 NP

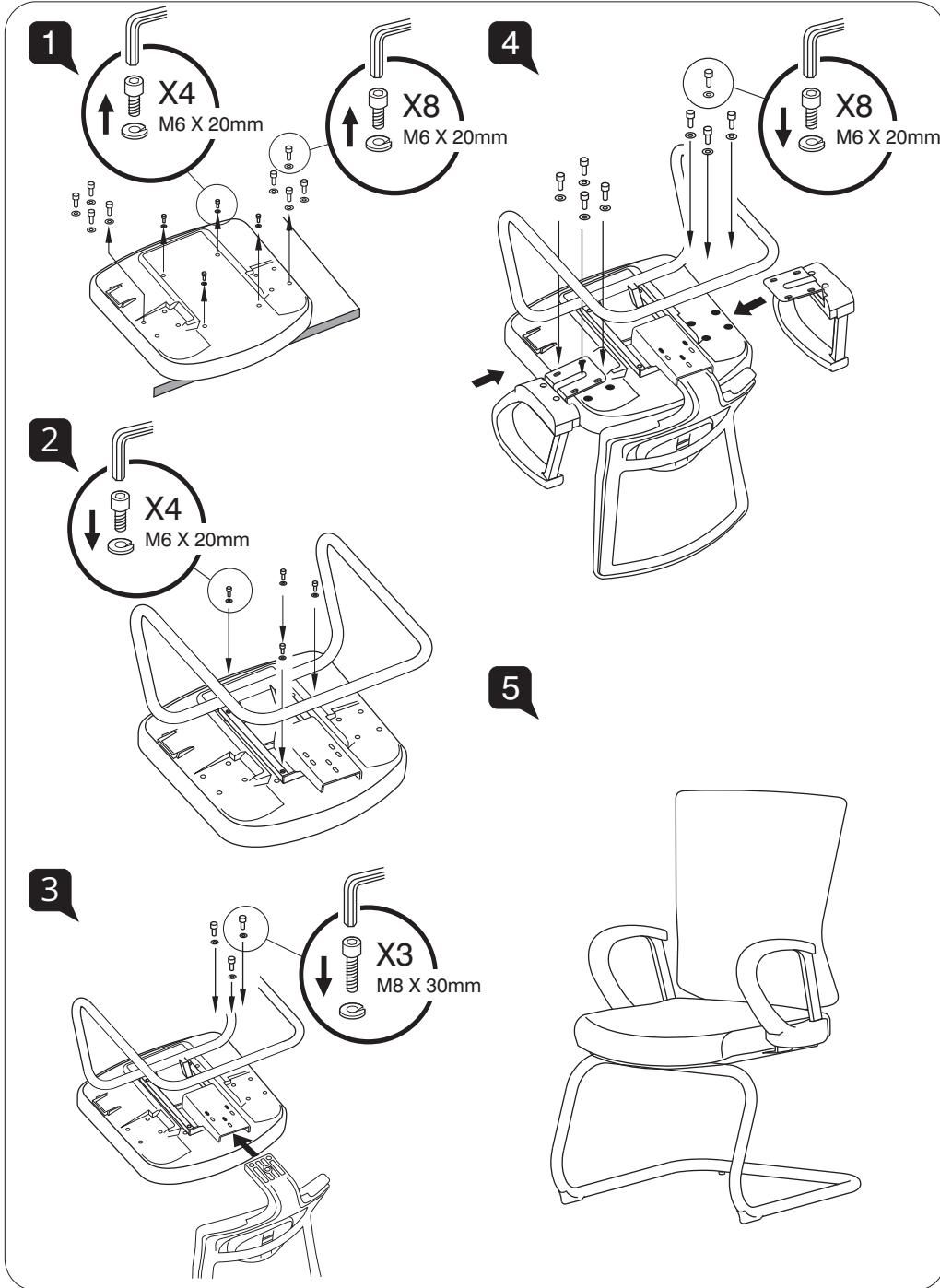
User Instructions

- A** **Seat Height Adjustable**
Flip up lever on right-side to raise or lower seat. Adjust such that your feet are adequately supported on floor.
- B** **Multi-Position Tilt Lock**
Recline to desired position, and flip down lever to lock. Flip up lever to release tilt-lock.
- C** **Lumbar Height Adjustment**
Slide the lumbar support up or down for desired lumbar position.
- D** **Armrest Height**
Press the button and raise or lower the armrest. Adjust height to adequately support elbows to take strain off shoulders.
- E** **Armpad Angle**
Grasp armpads and rotate them inwards or outwards to adjust elbow support to suite specific tasks. An inward position works during keyboard use, while an outward position is recommended during mousing.
- F** **Armrest Depth**
Grasp armpads and push them forwards and backwards to suite your arm support.
- G** **Seat Depth Adjustment**
Pull the lever under the right-side of the seat to adjust fore and aft position.
- H** **Headrest Height** (Only applicable for 969 model)
Adjust height by holding both sides of headrest and pull up or down to your desired height.



MERRYFAIR®

Assembly Instruction



User Instructions

FORTE Models 961 NA A15 B

- A Lumbar Height Adjustment**
Slide the lumbar support up or down for desired lumbar position.

