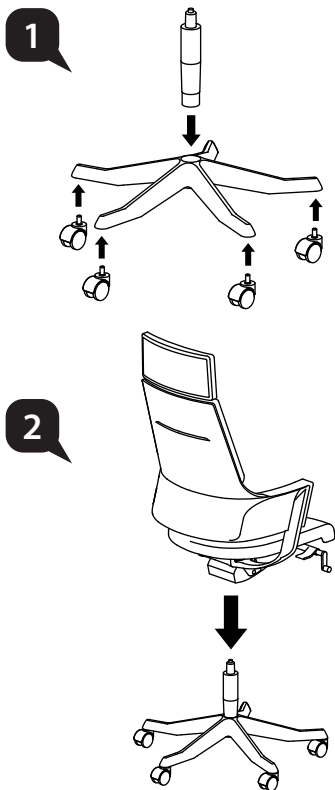


Assembly Instructions



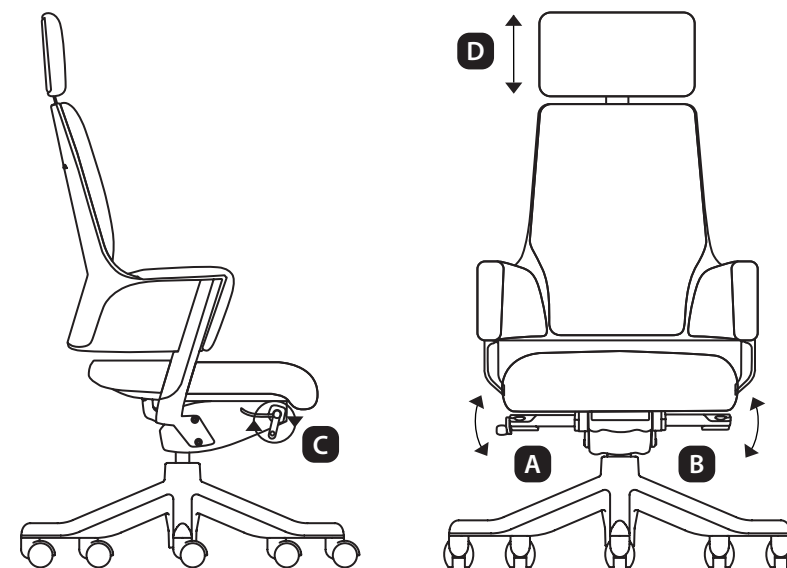
User Instructions

- A** **Seat Height Adjustment**
Flip up lever on right-side to raise or lower seat. Adjust such that your feet are adequately supported on the floor.
- B** **Multi-Position Tilt Lock**
Recline to desired position, and flip down lever on left-side to lock. Flip up lever to release tilt-lock.
- C** **Tilt Tension Control**
Turn side knob clockwise to provide a stronger tilt tension, and vice-versa. Adjust such that minimum effort is required to push back when reclining.
- D** **Headrest Height**
Adjust height by holding both sides of headrest and pull up or down to your desired height.

MERRYFAIR®

Delphi

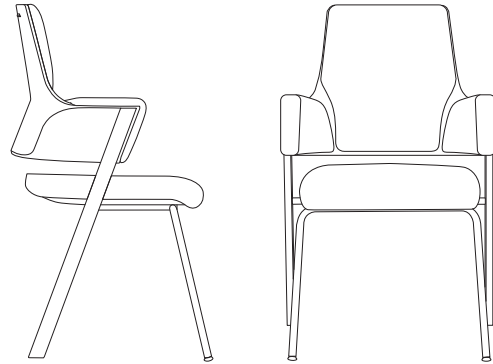
model: 499 MA A49 V
509 MA A49 VP FL



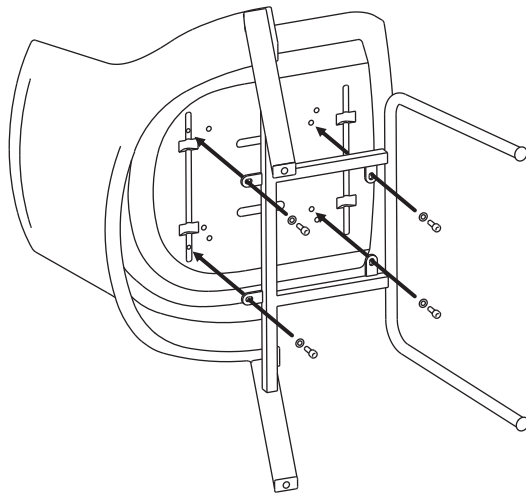
MERRYFAIR®

Delphi

model : 491 NA A49 H



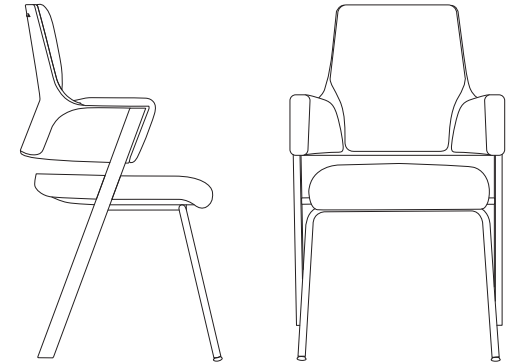
Assembly Instruction



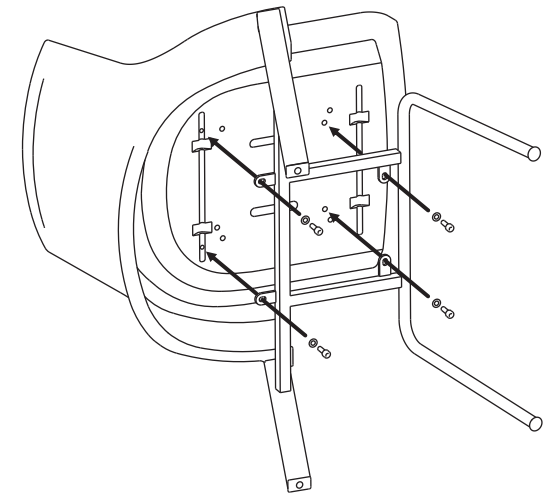
MERRYFAIR®

Delphi

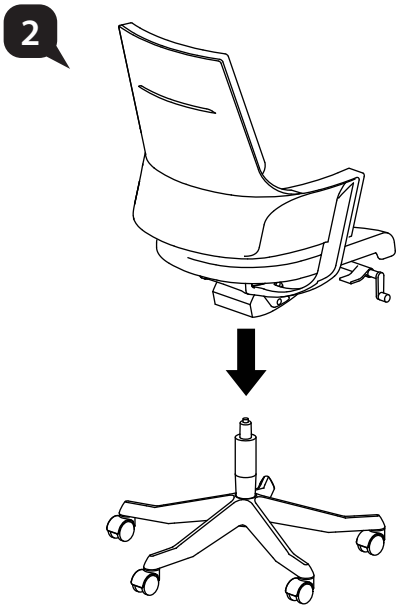
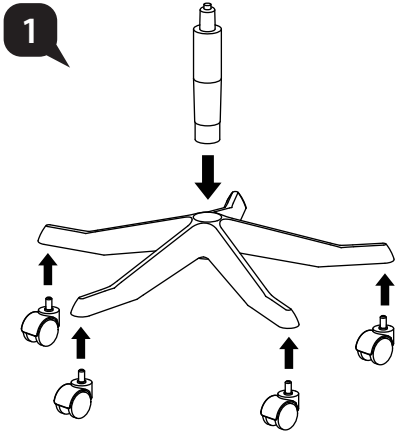
model : 491 NA A49 H



Assembly Instruction



Assembly Instruction



User Instructions

- A** **Seat Height Adjustment**
Flip up lever on right-side to raise or lower seat. Adjust such that your feet are adequately supported on floor.
- B** **Multi-Position Tilt Lock**
Recline to desired position, and flip down lever on left-side to lock. Flip up lever to release tilt-lock.
- C** **Tilt Tension Control**
Turn side knob clockwise to provide a stronger tilt tension, and vice-versa. Adjust such that minimum effort is required to push back when recline.

MERRYFAIR®

Delphi

model: 498 MA A49 V
508 MA A49 VP FL
497 MA A49 V
507 MA A49 VP FL

