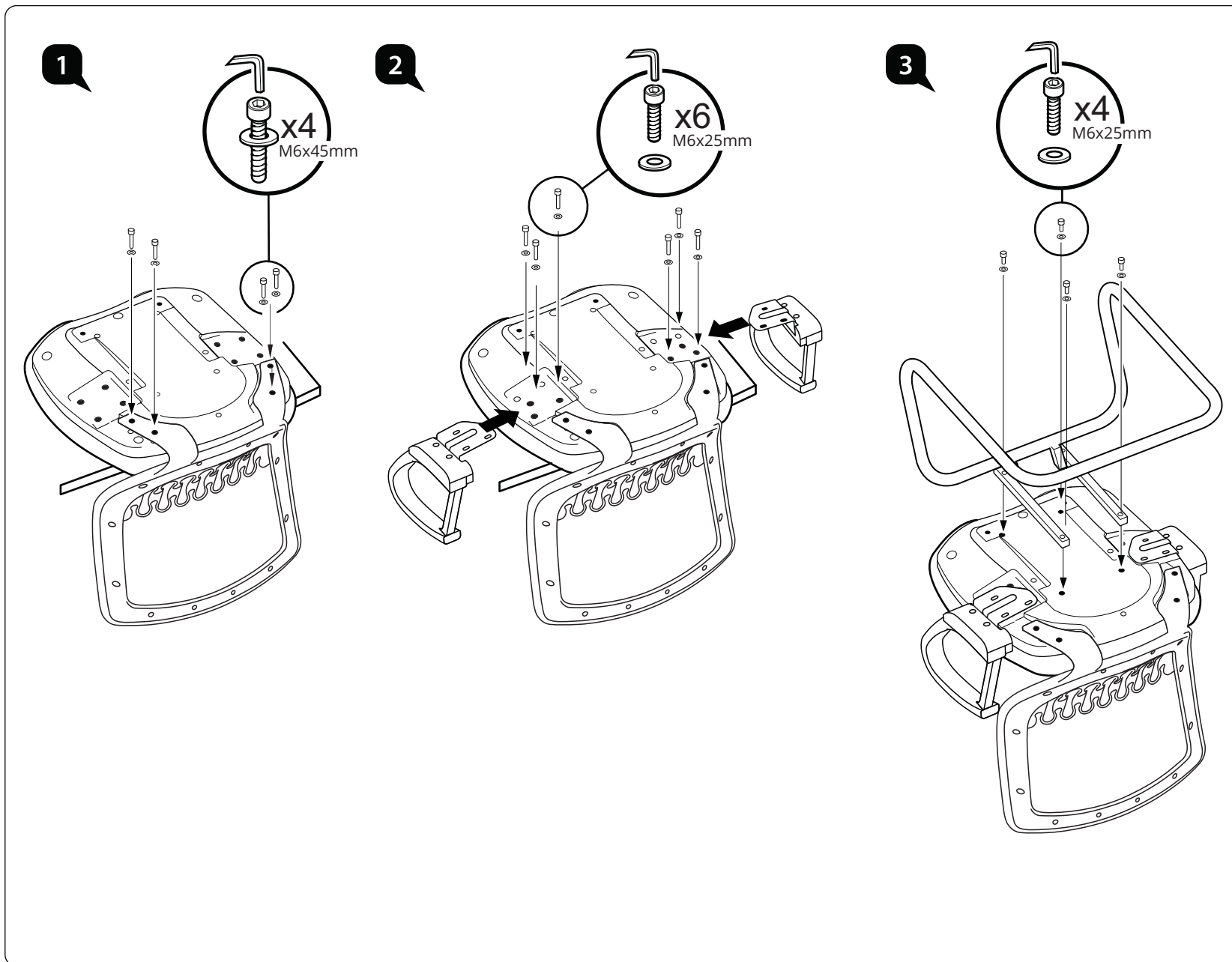


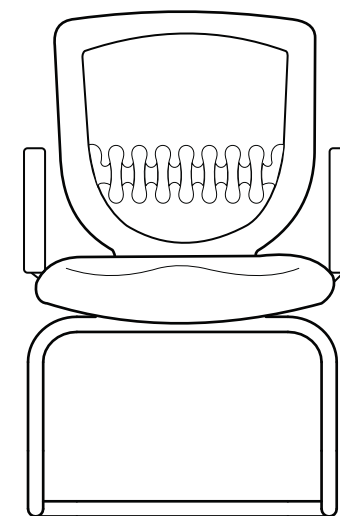
Assembly Instruction

MERRYFAIR®



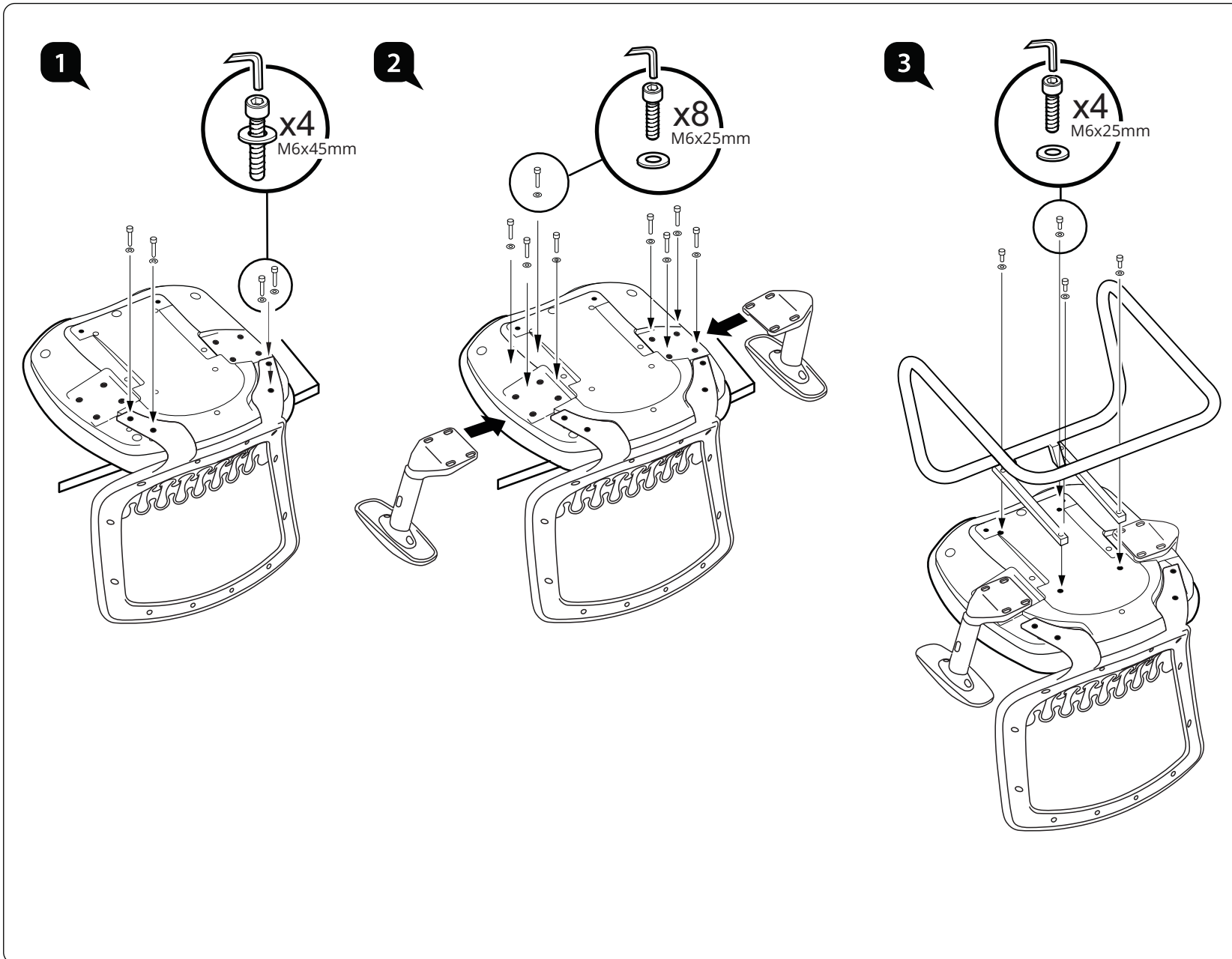
Esie

Model : 361 NA A15 B



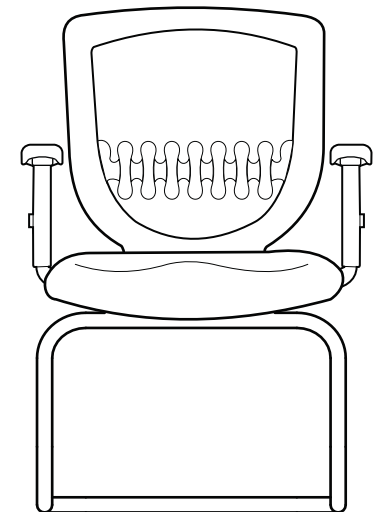
Assembly Instruction

MERRYFAIR®



Esie

Model : 361 NA A4S B

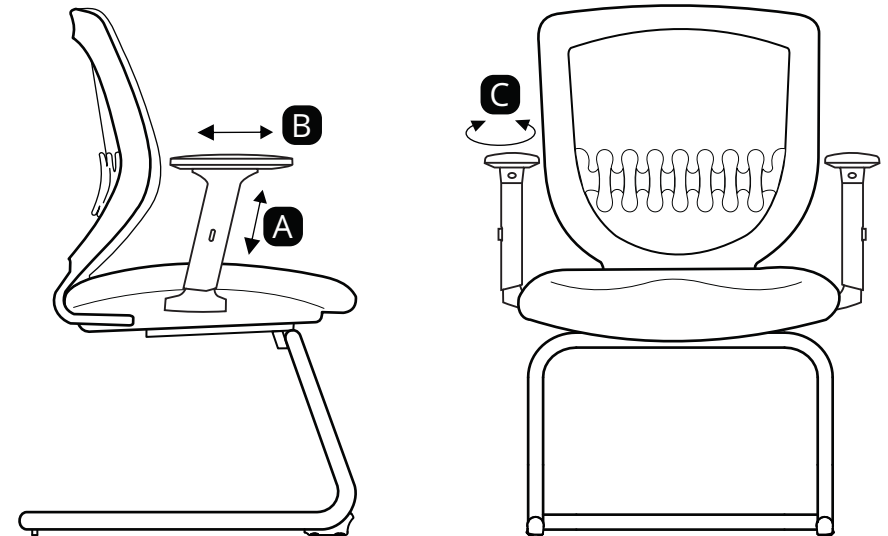


User Instruction

- A Armrest Height**
Press the button and raise or lower the armrest. Adjust height to adequately support elbows to take strain off shoulders.
- B Armpad Depth**
Grasp armpads and push them forwards and backwards to suite your arm support.
- C Armpad Angle**
Grasp armpads and rotate them inwards or outwards to adjust elbow support to suite specific tasks. An inward position works during keyboard use, while an outward position is recommended during mousing.

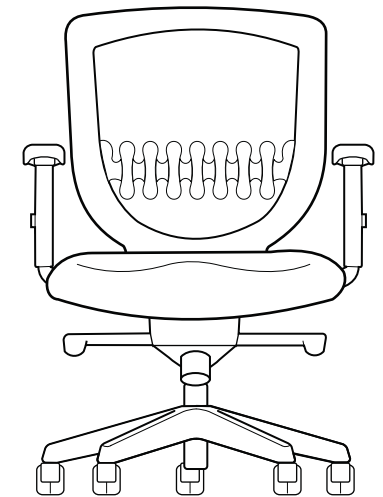
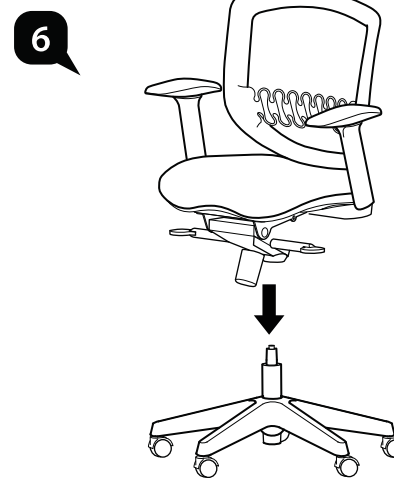
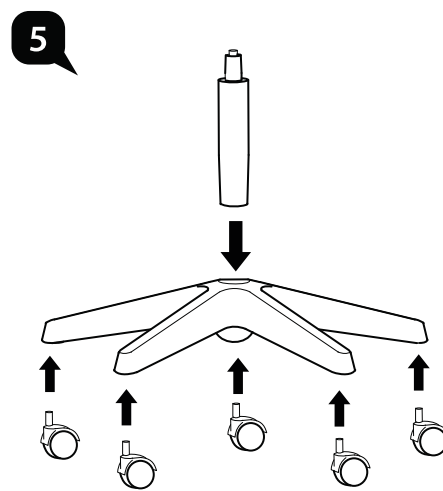
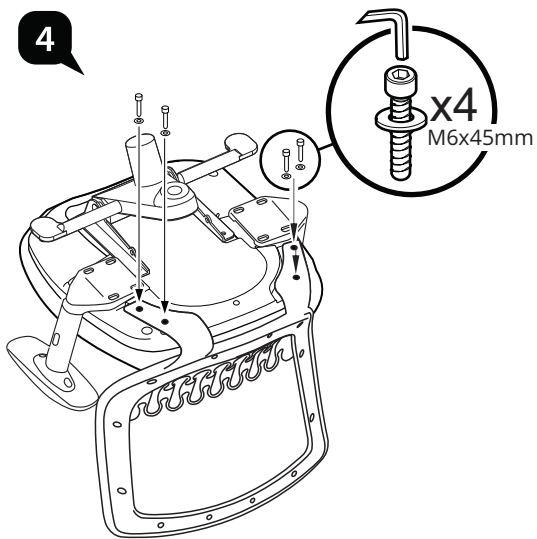
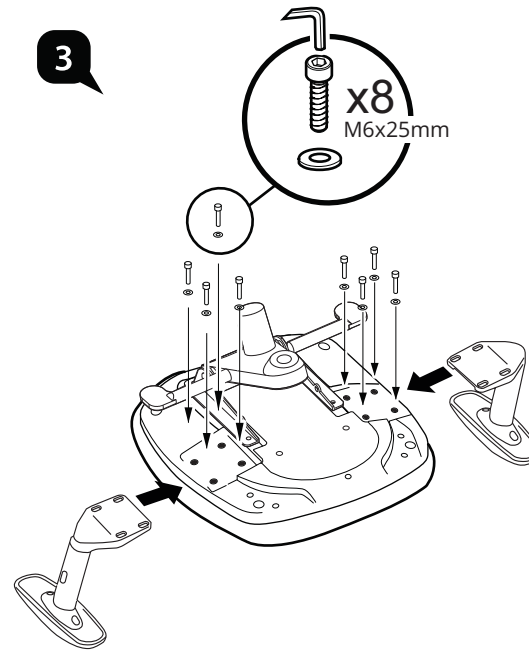
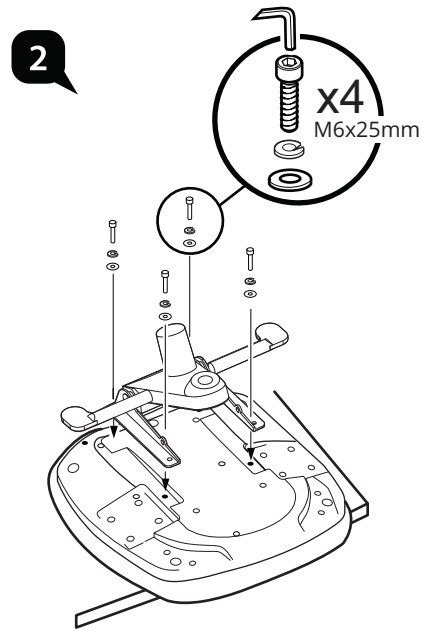
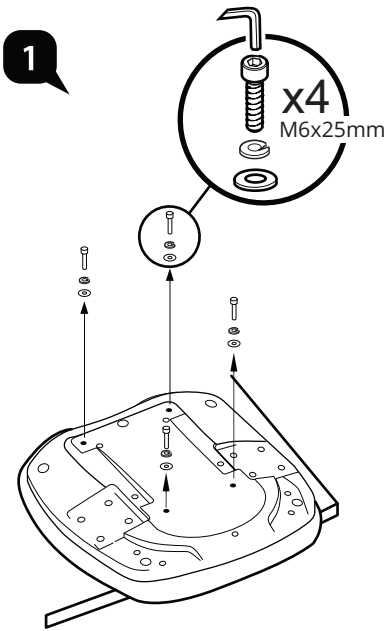
Esie

Model : 361 NA A4S B



Assembly Instruction

MERRYFAIR®



Esie

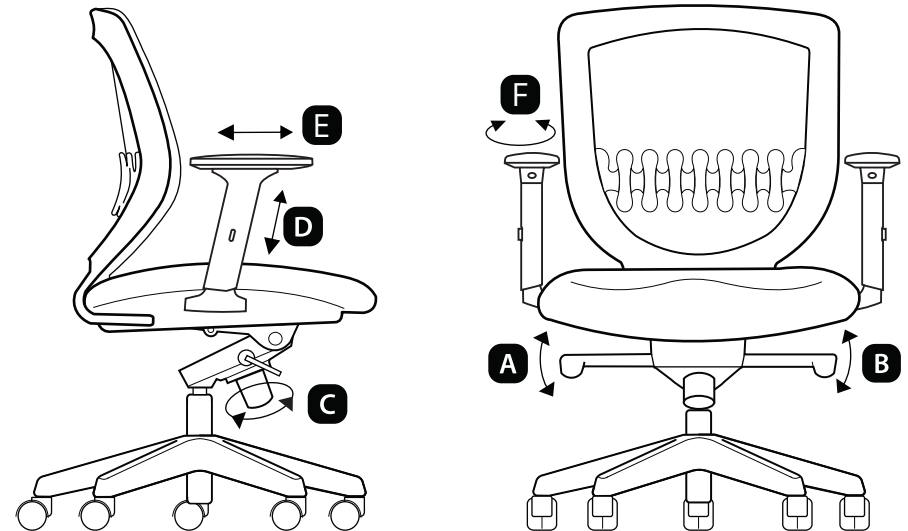
Model : 367 KT A4S N3

User Instruction

- A Seat Height Adjustable**
Flip up lever to raise or lower seat. Adjust such that your feet are adequately supported on floor.
- B Multi-Position Tilt Lock**
Recline to desired position, and flip down lever on left-side to lock. Flip up lever to release the tilt-lock.
- C Tilt Tension Control**
Turn bottom knob clockwise to provide a stronger tilt tension, and vice-versa. Adjust such that minimum effort is required to push back when recline.
- D Armrest Height**
Press the button and raise or lower the armrest. Adjust height to adequately support elbows to take strain off shoulders.
- E Armpad Depth**
Grasp armpads and push them forwards and backwards to suite your arm support.
- F Armpad Angle**
Grasp armpads and rotate them inwards or outwards to adjust elbow support to suite specific tasks. An inward position works during keyboard use, while an outward position is recommended during mousing.

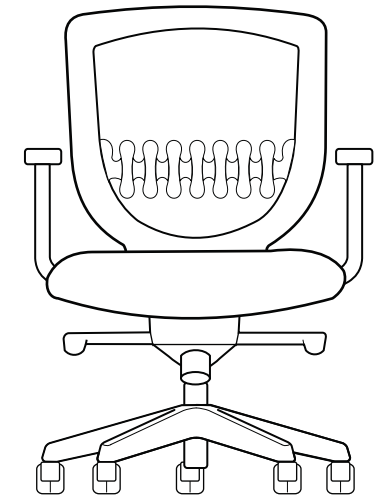
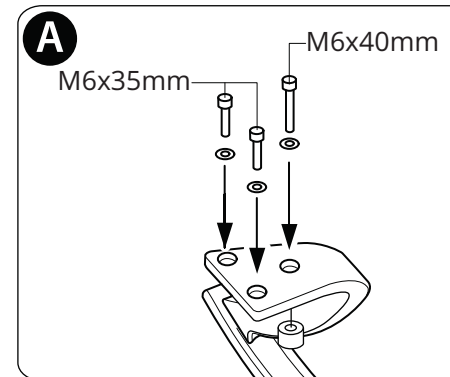
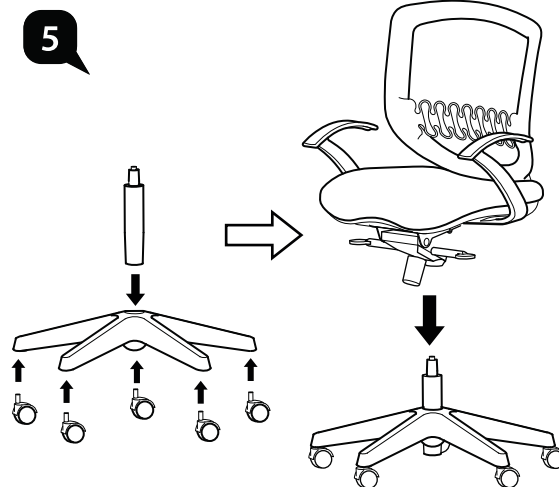
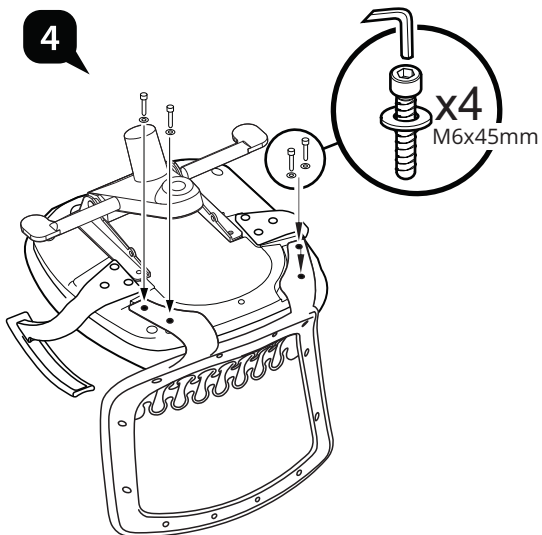
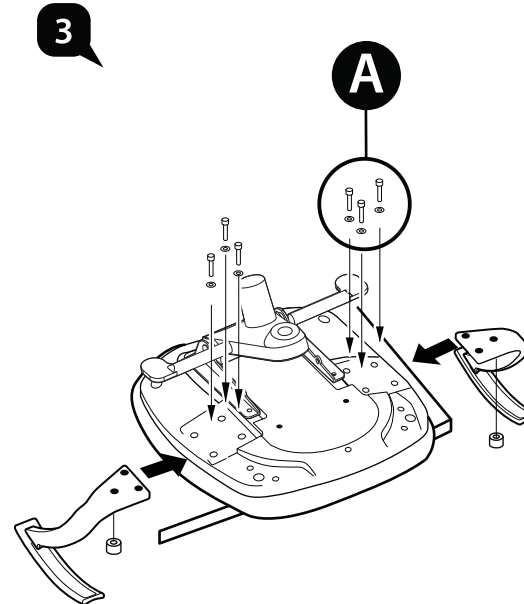
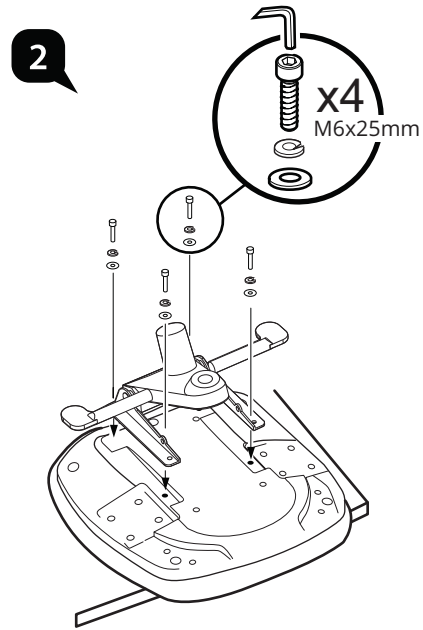
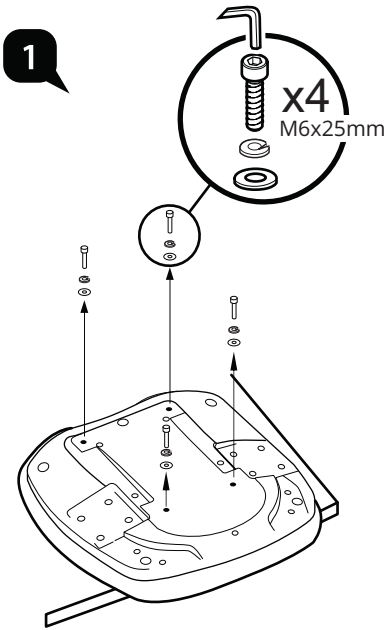
Esie

Model : 367 KT A4S N3



Assembly Instruction

MERRYFAIR®



Esie

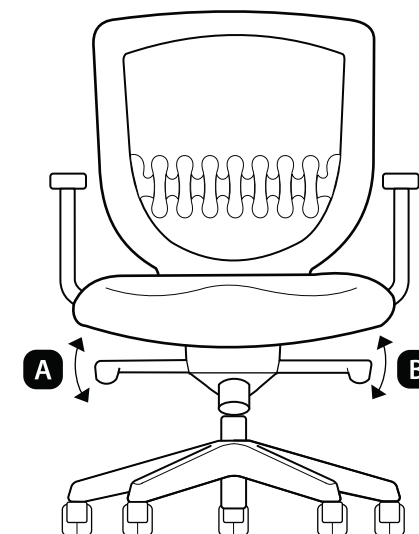
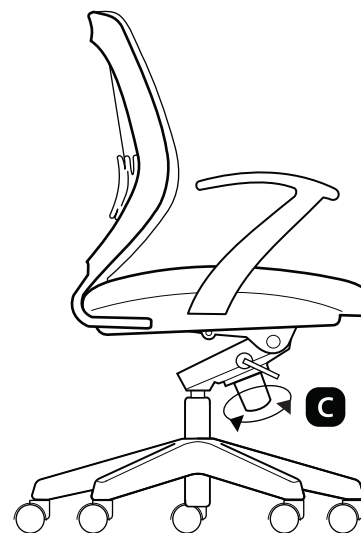
Model : 367 KT A05 N3

User Instruction

- A Seat Height Adjustable**
Flip up lever to raise or lower seat. Adjust such that your feet are adequately supported on floor.
- B Multi-Position Tilt Lock**
Recline to desired position, and flip down lever on left-side to lock. Flip up lever to release the tilt-lock.
- C Tilt Tension Control**
Turn bottom knob clockwise to provide a stronger tilt tension, and vice-versa. Adjust such that minimum effort is required to push back when recline.

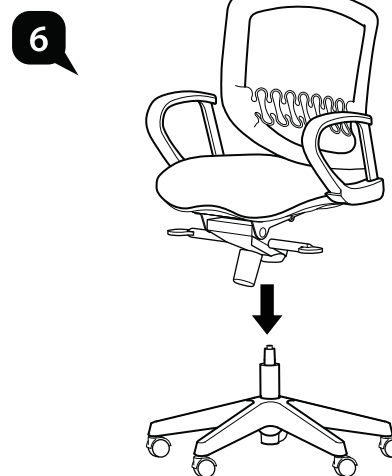
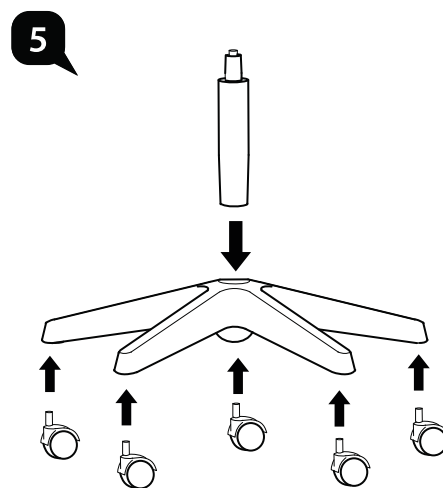
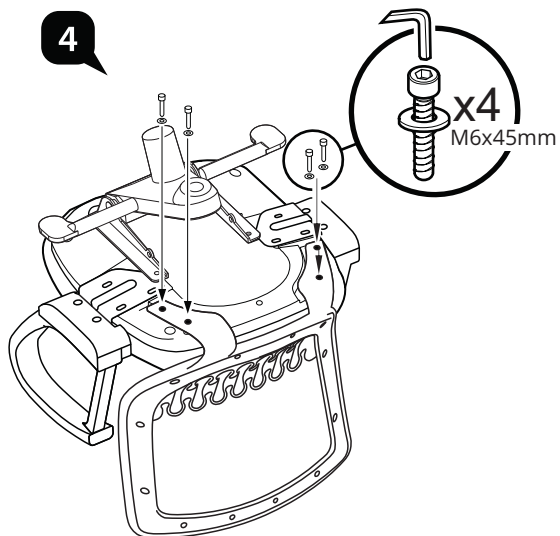
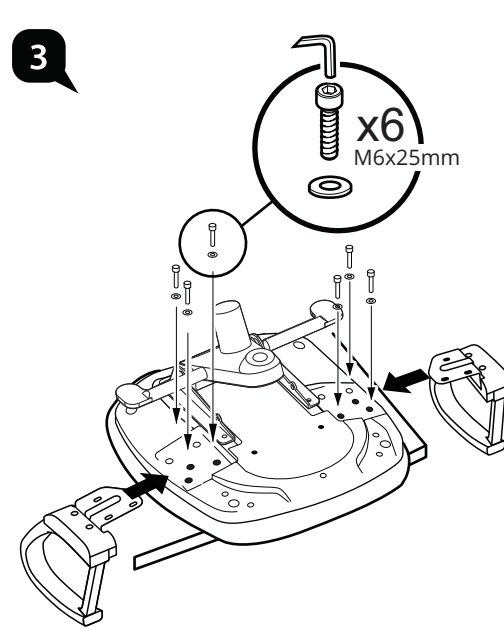
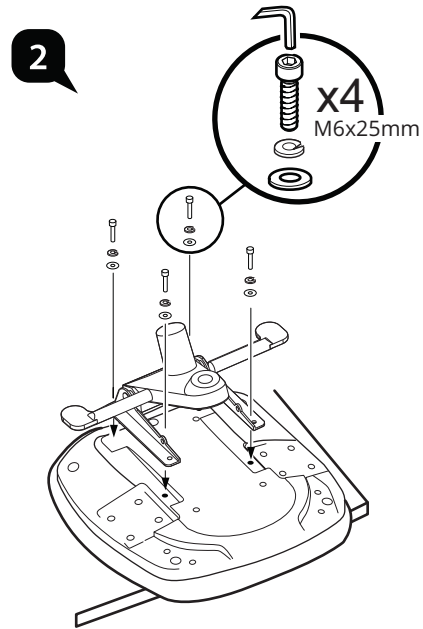
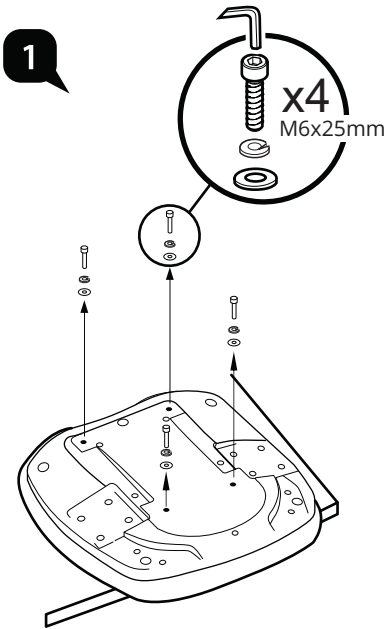
Esie

Model : 367 KT A05 N3

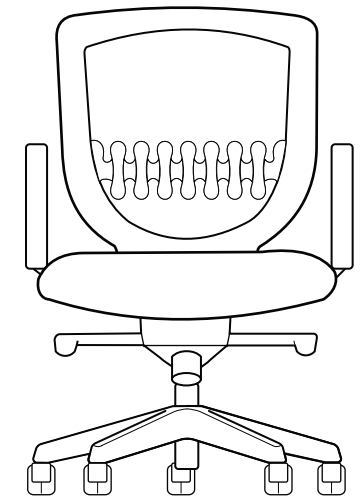


Assembly Instruction

MERRYFAIR®



Esie
Model : 367 KT A15 N3

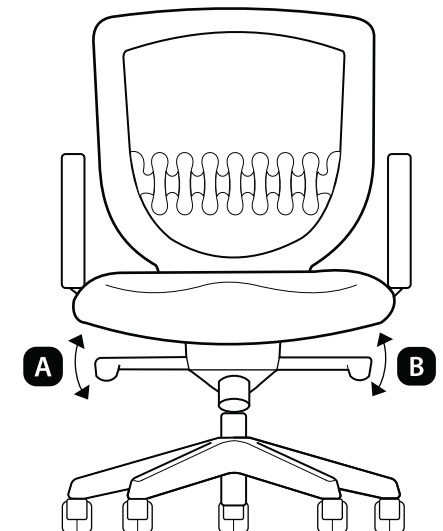
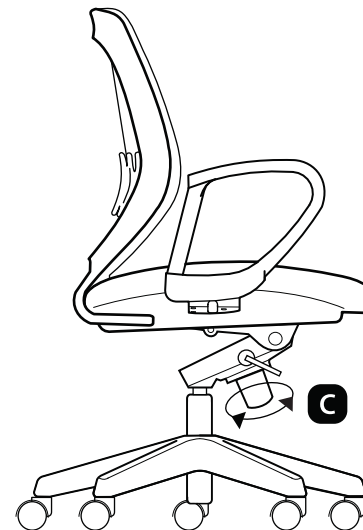


User Instruction

- A Seat Height Adjustable**
Flip up lever to raise or lower seat. Adjust such that your feet are adequately supported on floor.
- B Multi-Position Tilt Lock**
Recline to desired position, and flip down lever on left-side to lock. Flip up lever to release the tilt-lock.
- C Tilt Tension Control**
Turn bottom knob clockwise to provide a stronger tilt tension, and vice-versa. Adjust such that minimum effort is required to push back when recline.

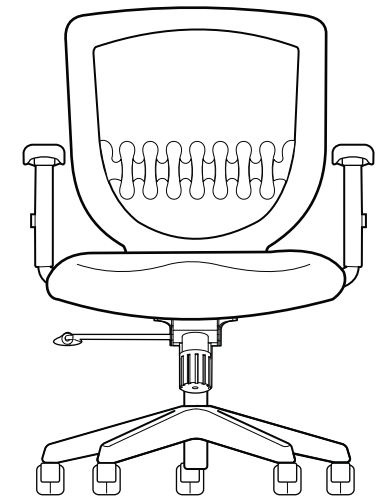
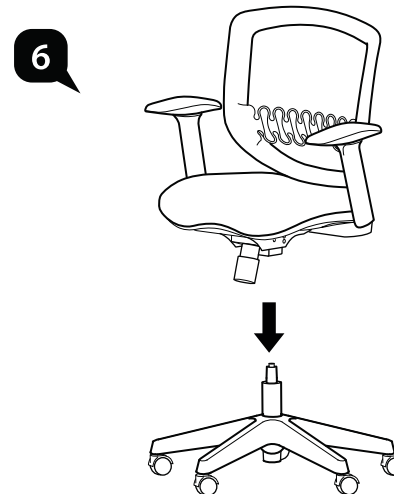
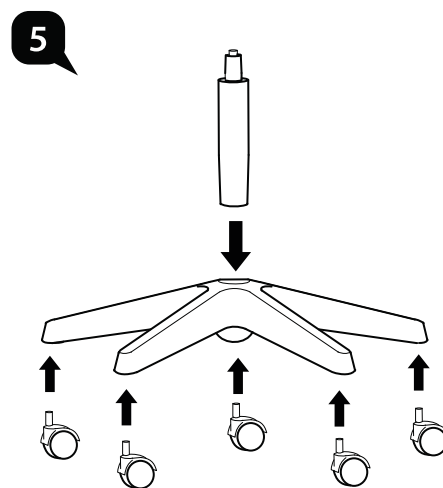
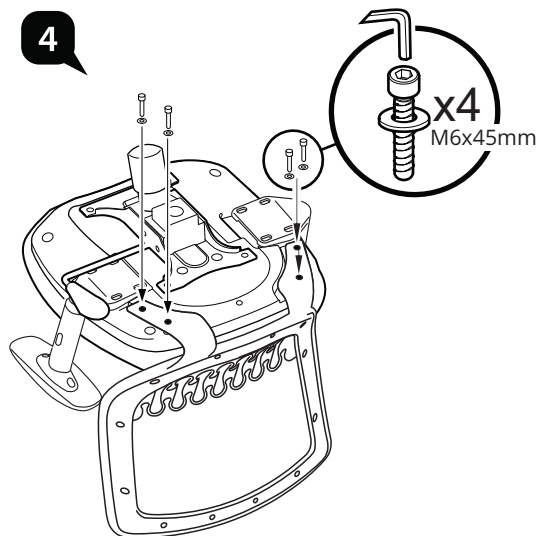
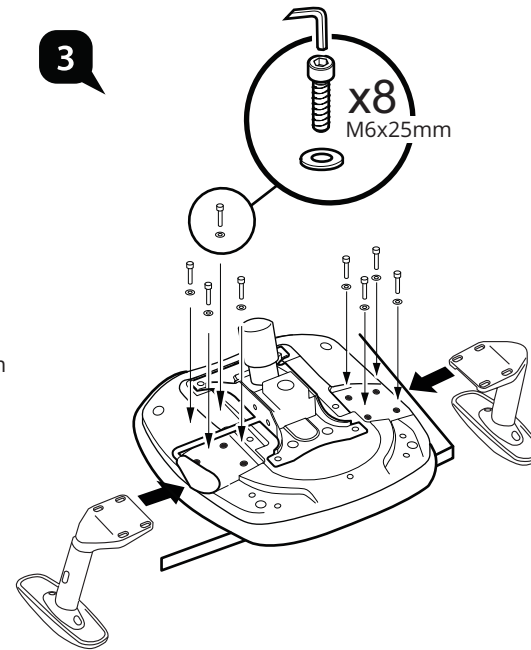
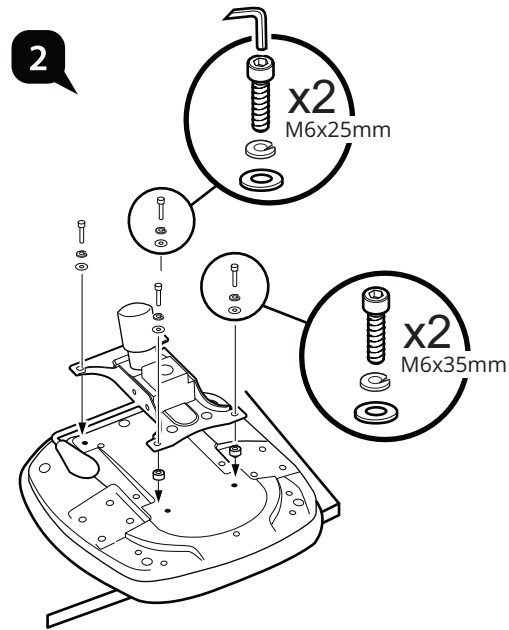
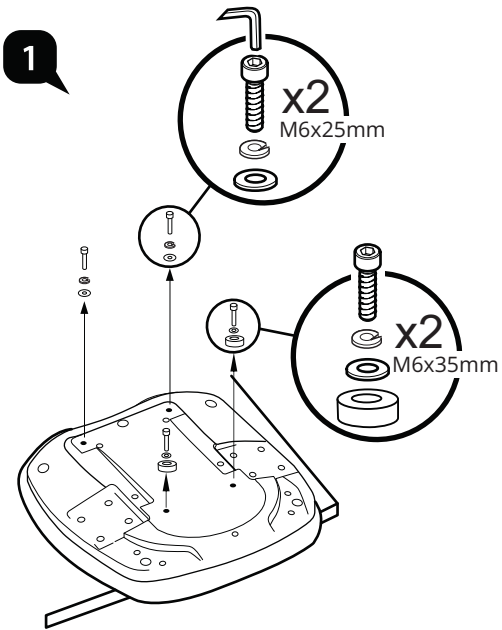
Esie

Model : 367 KT A15 N3



Assembly Instruction

MERRYFAIR®



Esie

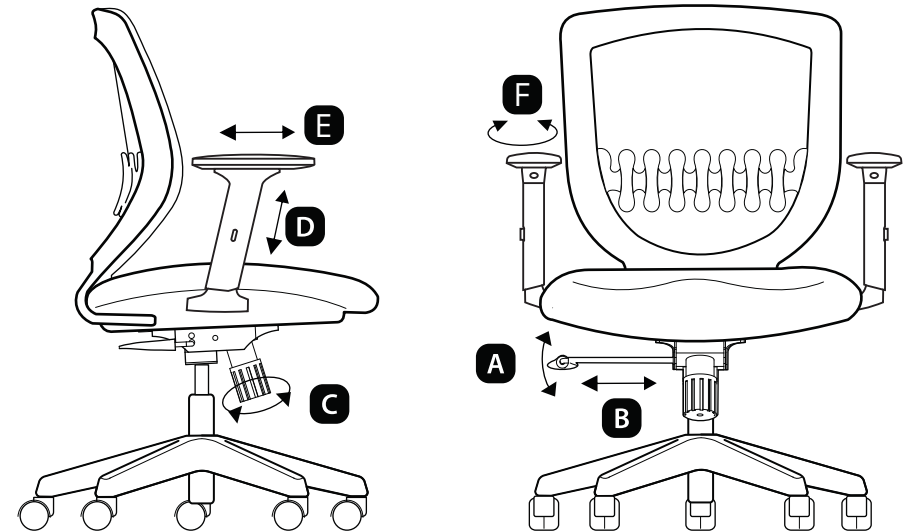
Model : 367 SH A4S N3

User Instruction

- A Seat Height Adjustable**
Flip up lever to raise or lower seat. Adjust such that your feet are adequately supported on floor.
- B Tilt Lock**
Only 2 locking positions for this model. At upright position or recline to the maximum and push in lever to lock. Pull out lever to release tilt-lock.
- C Tilt Tension Control**
Turn bottom knob clockwise to provide a stronger tilt tension, and vice-versa. Adjust such that minimum effort is required to push back when recline.
- D Armrest Height**
Press the button and raise or lower the armrest. Adjust height to adequately support elbows to take strain off shoulders.
- E Armpad Depth**
Grasp armpads and push them forwards and backwards to suite your arm support.
- F Armpad Angle**
Grasp armpads and rotate them inwards or outwards to adjust elbow support to suite specific tasks. An inward position works during keyboard use, while an outward position is recommended during mousing.

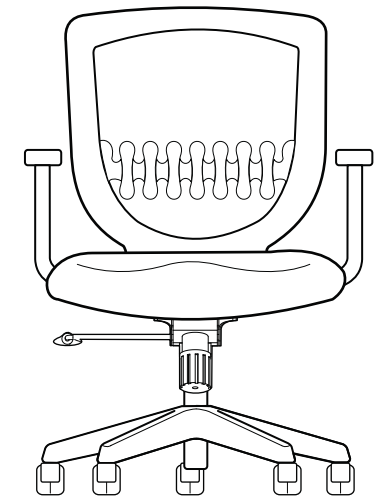
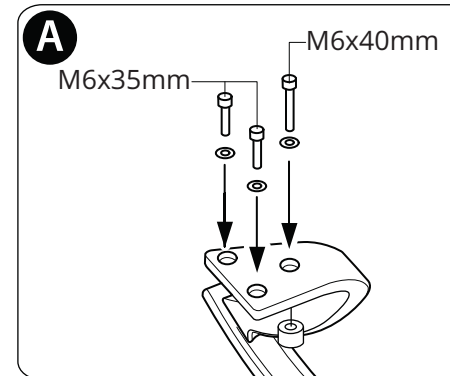
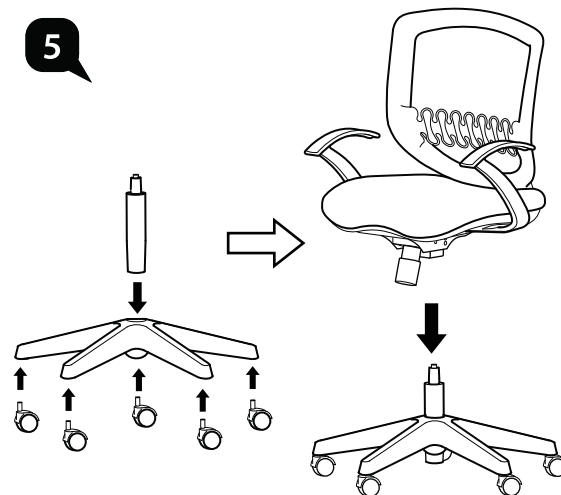
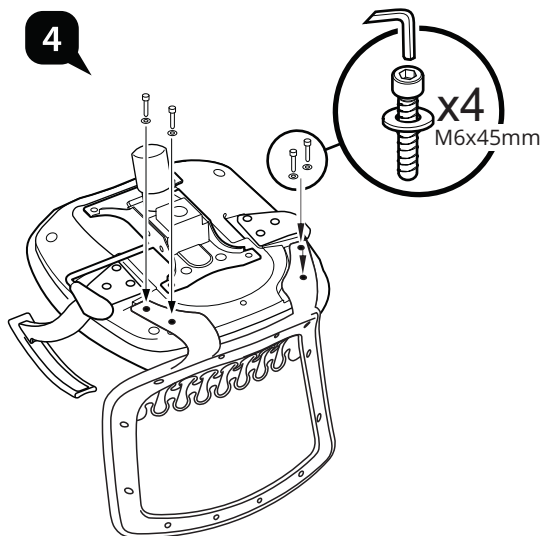
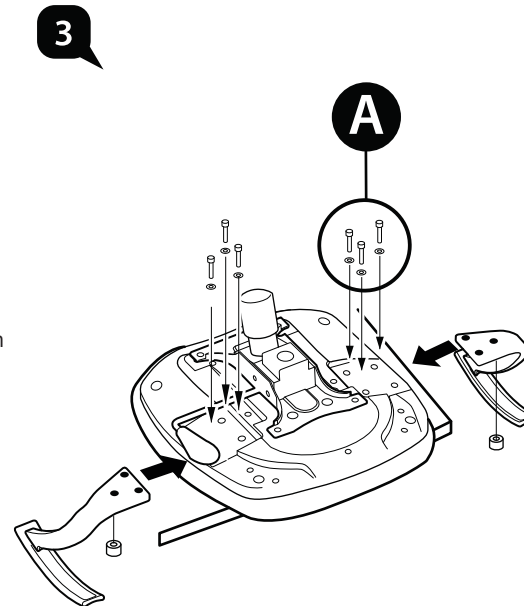
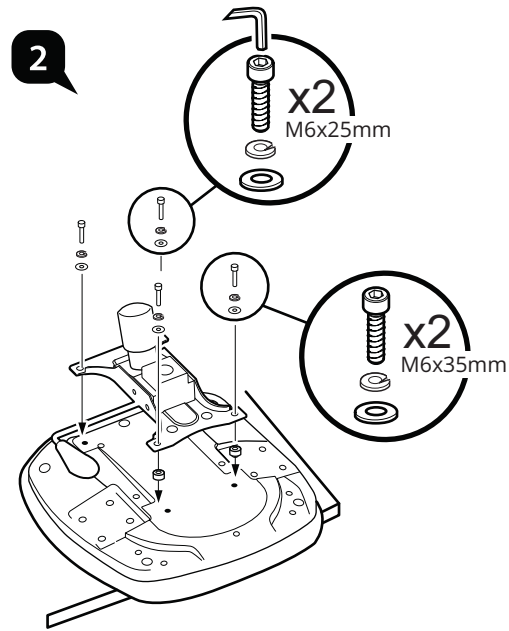
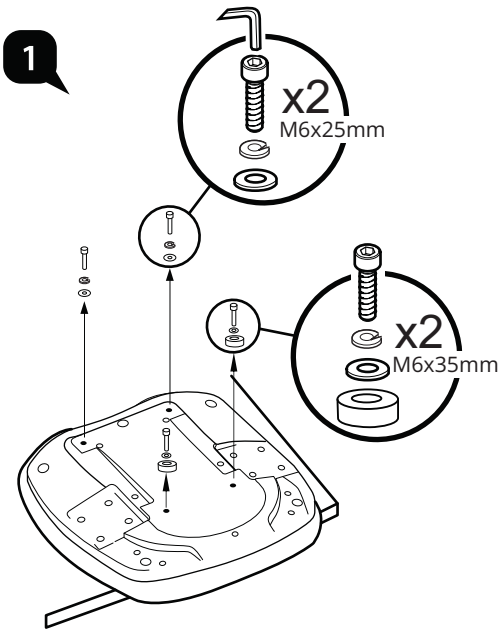
Esie

Model : 367 SH A4S N3



Assembly Instruction

MERRYFAIR®



Esie

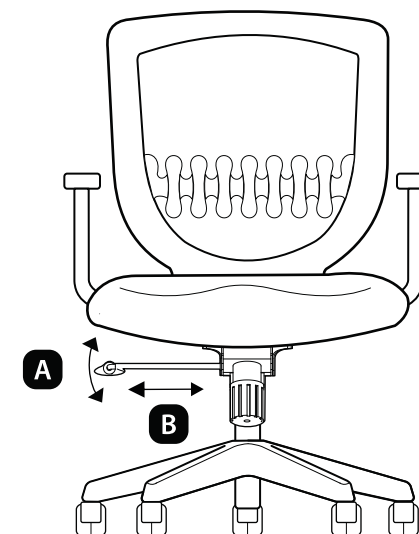
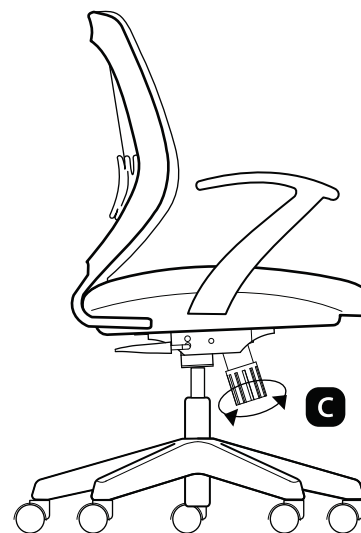
Model : 367 SH A05 N3

User Instruction

- A Seat Height Adjustable**
Flip up lever to raise or lower seat. Adjust such that your feet are adequately supported on floor.
- B Tilt Lock**
Only 2 locking positions for this model. At upright position or recline to the maximum and push in lever to lock. Pull out lever to release tilt-lock.
- C Tilt Tension Control**
Turn bottom knob clockwise to provide a stronger tilt tension, and vice-versa. Adjust such that minimum effort is required to push back when recline.

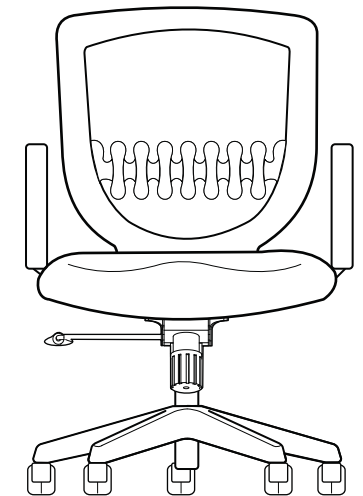
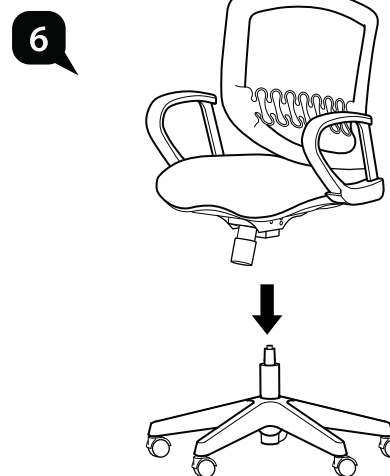
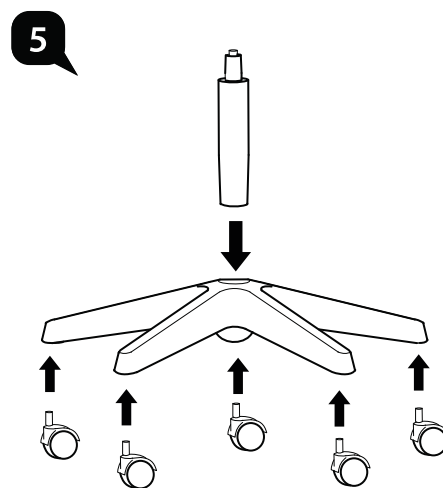
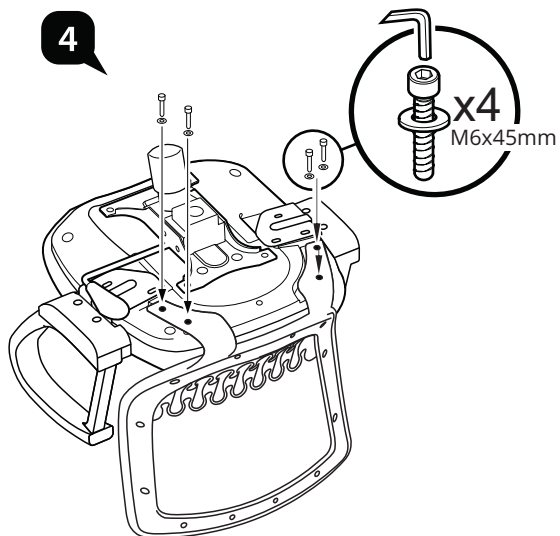
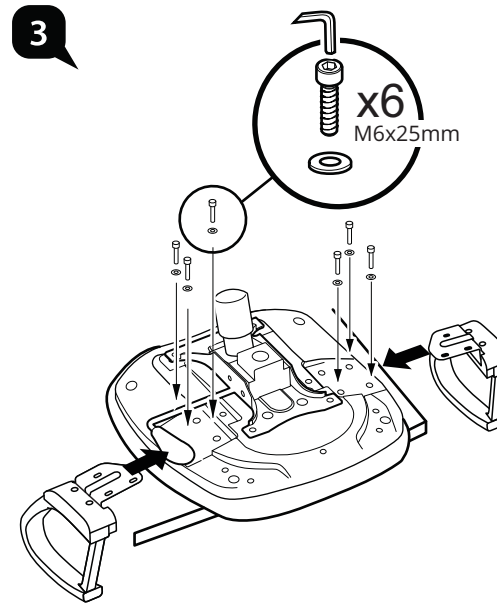
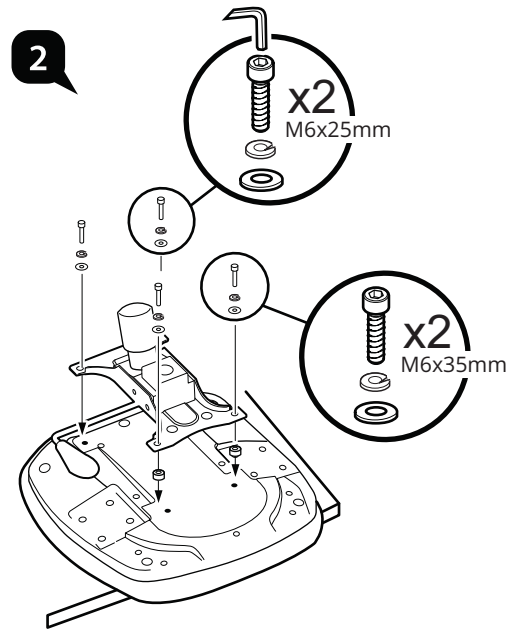
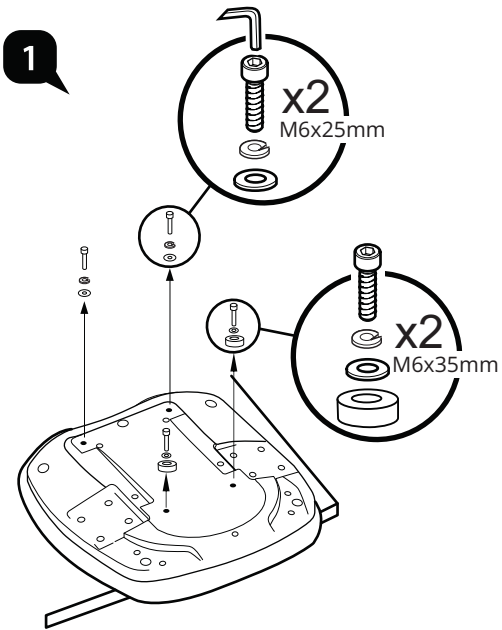
Esie

Model : 367 SH A05 N3



Assembly Instruction

MERRYFAIR®



Esie

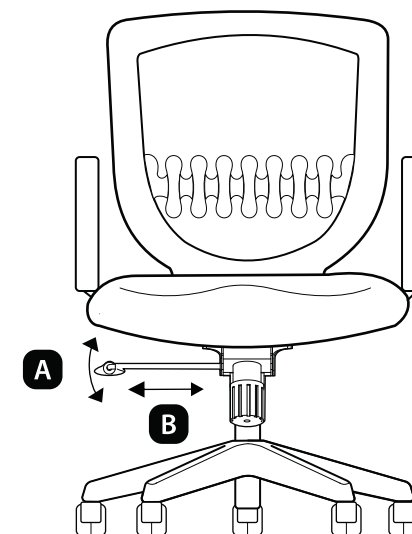
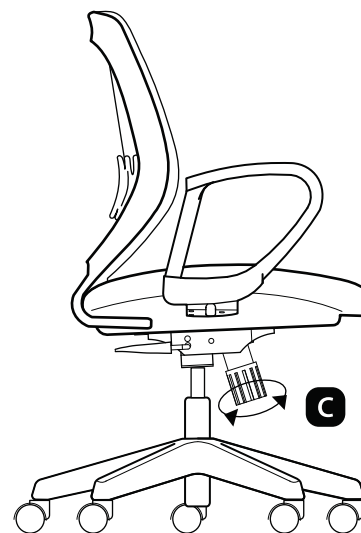
Model : 367 SH A15 N3

User Instruction

- A Seat Height Adjustable**
Flip up lever to raise or lower seat. Adjust such that your feet are adequately supported on floor.
- B Tilt Lock**
Only 2 locking positions for this model. At upright position or recline to the maximum and push in lever to lock. Pull out lever to release tilt-lock.
- C Tilt Tension Control**
Turn bottom knob clockwise to provide a stronger tilt tension, and vice-versa. Adjust such that minimum effort is required to push back when recline.

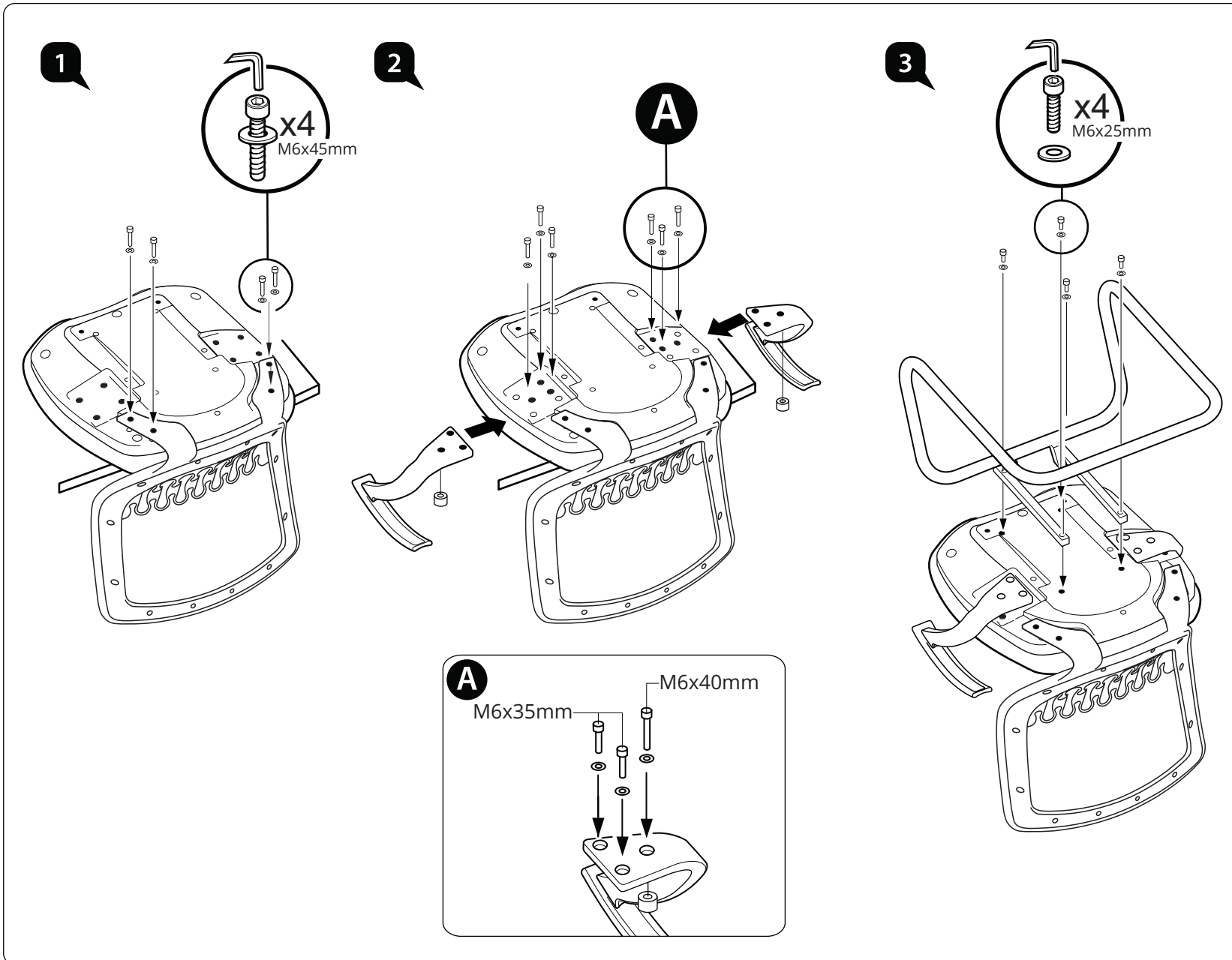
Esie

Model : 367 SH A15 N3



Assembly Instruction

MERRYFAIR®



Esie

Model : 361 NA A05 B

