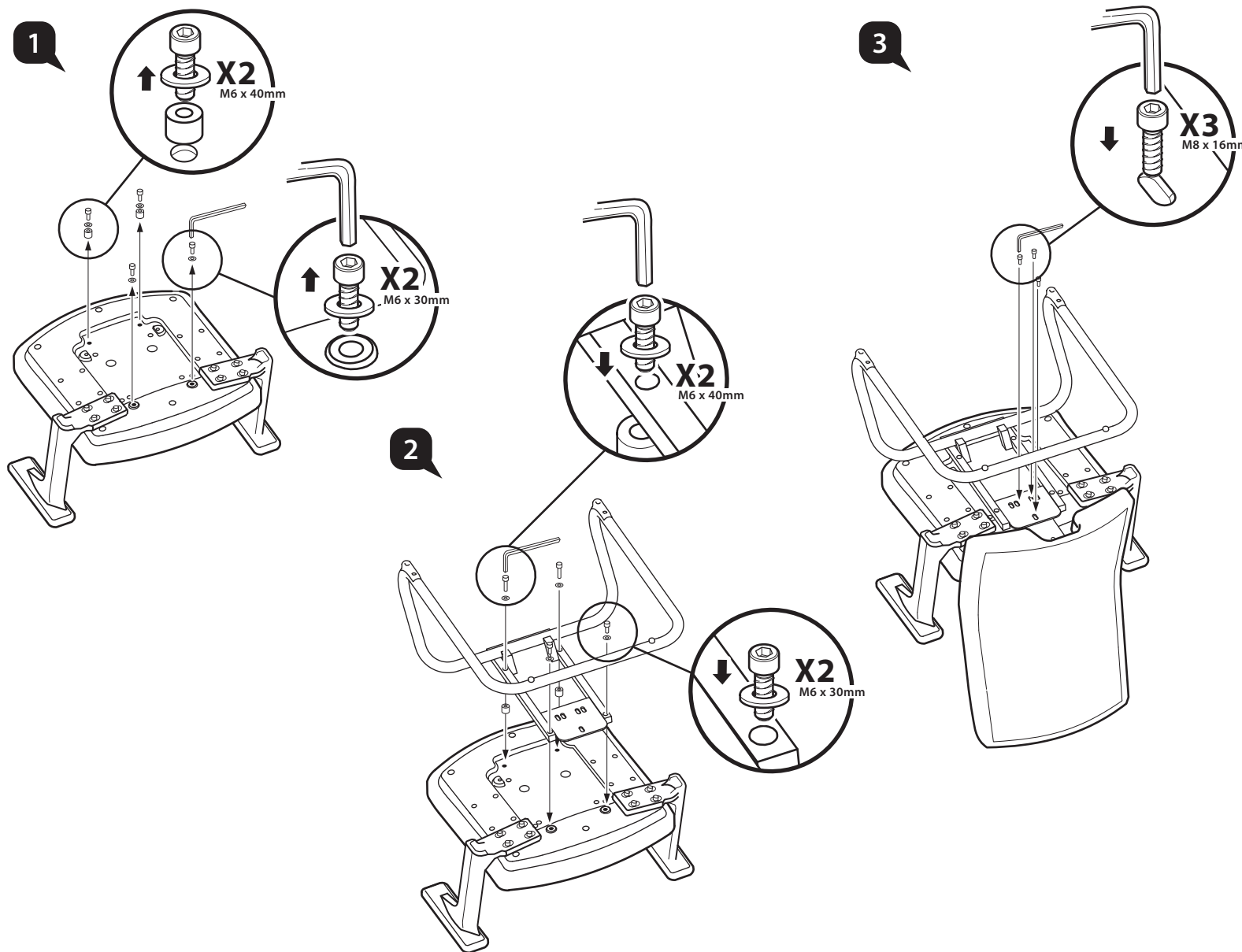


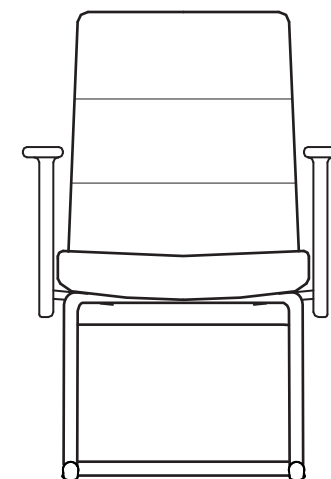
Assembly Instruction

MERRYFAIR®



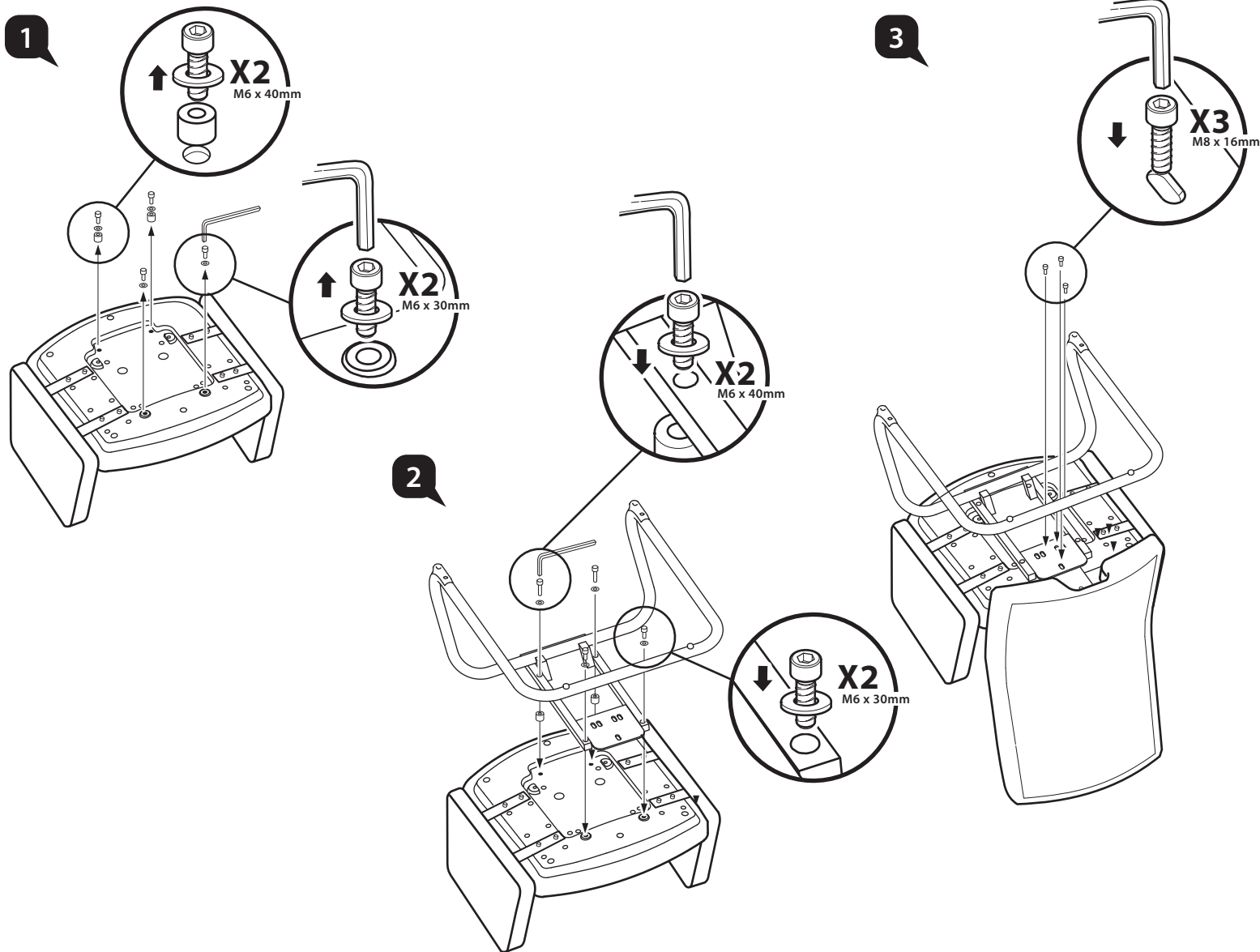
Bravo

model: 351 NA A37 B



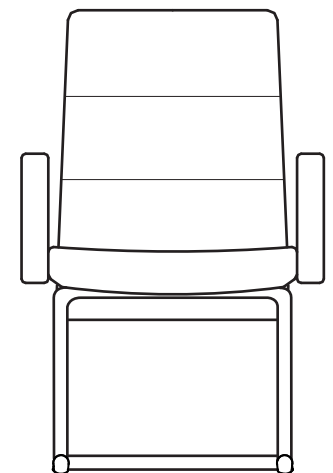
Assembly Instruction

MERRYFAIR®



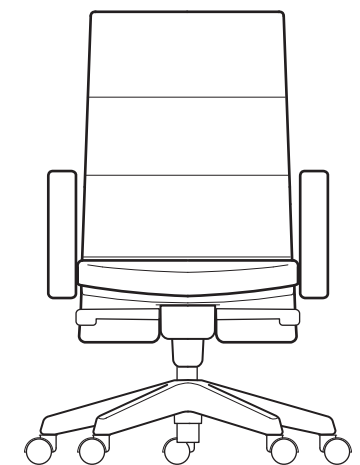
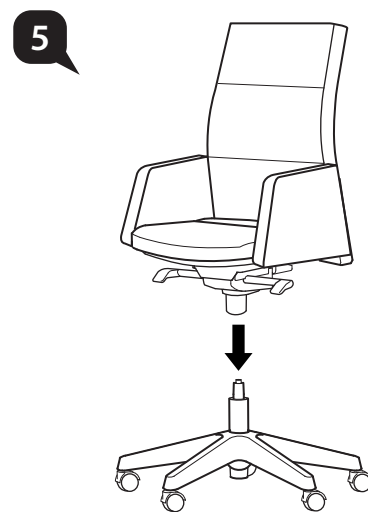
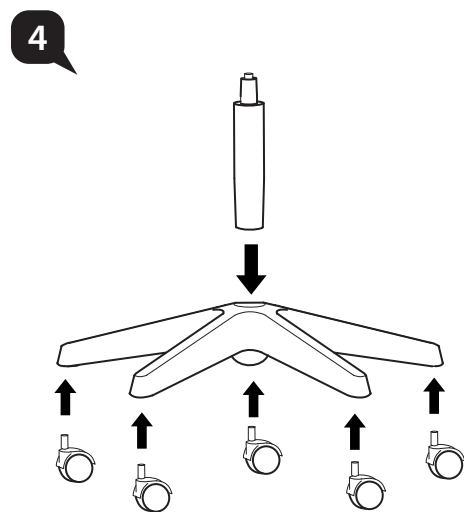
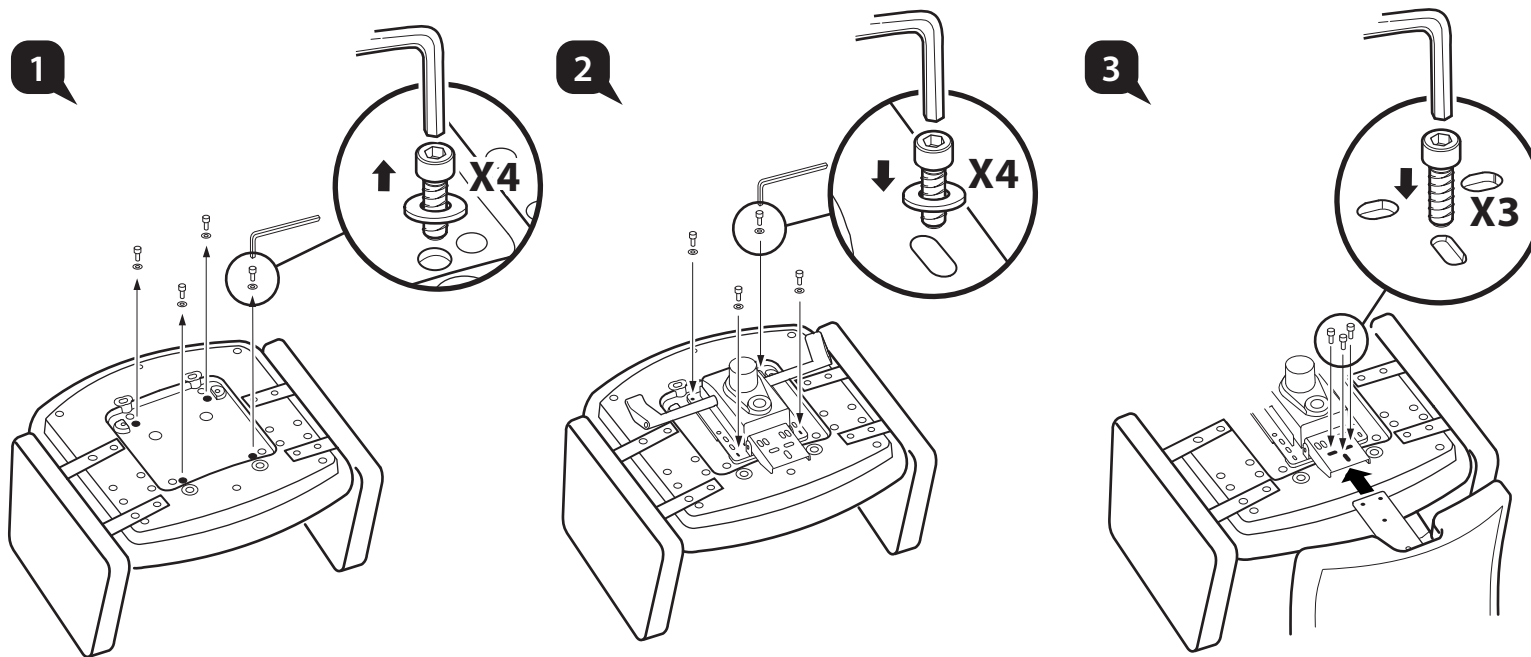
Bravo

model: 351 NA A38 B



Assembly Instruction

MERRYFAIR®



Bravo

models: 358 YC A38 N2
357 YC A38 N2

User Instructions

MERRYFAIR®

A *Seat Height Adjustable*

Flip up lever on right-side to raise or lower set. Adjust such that your feet are adequately supported on floor.

B *Multi-Position Tilt Lock*

Recline to desired position, and flip down lever on left-side to lock. Flip up lever to release tilt-lock.

C *Tilt Tension Control*

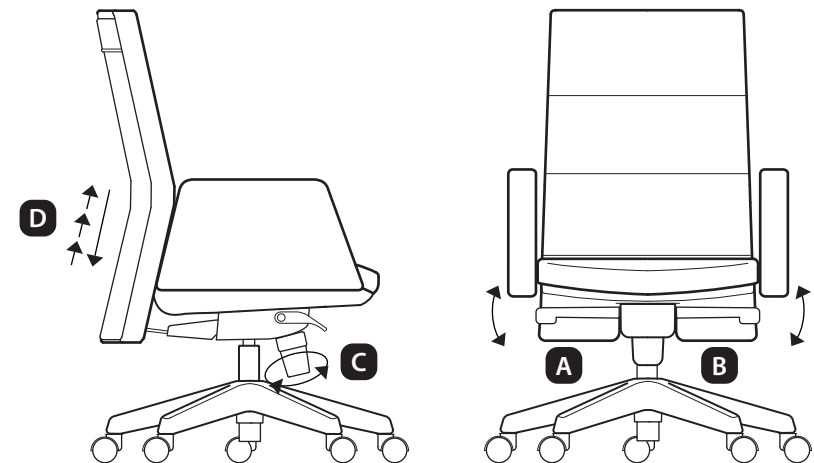
Turn bottom knob clockwise to provide a stronger tilt tension, and vice-versa. Adjust such that minimum effort is required to push back when recline.

D *Backrest Height*

Hold backrest by both sides and pull up, one step at a time, to desired height. To lower backrest, pull it up to maximum height and then, return it to lowest to start again. Adjust height so that the backrest curvature follows the curve of your back.

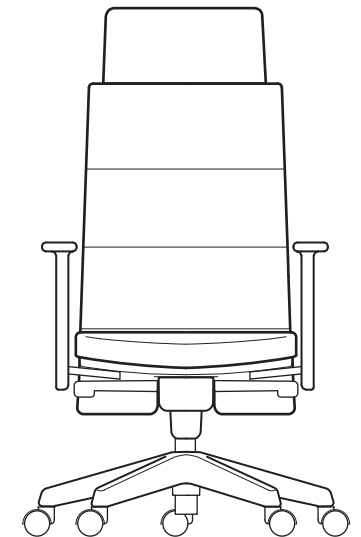
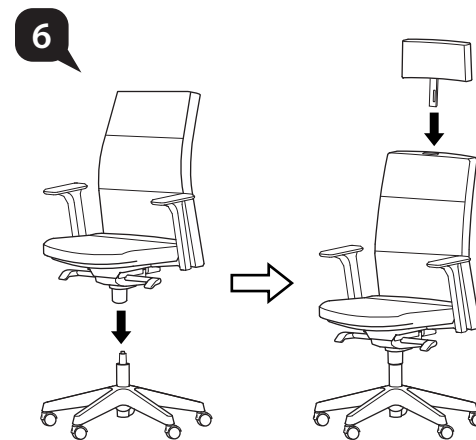
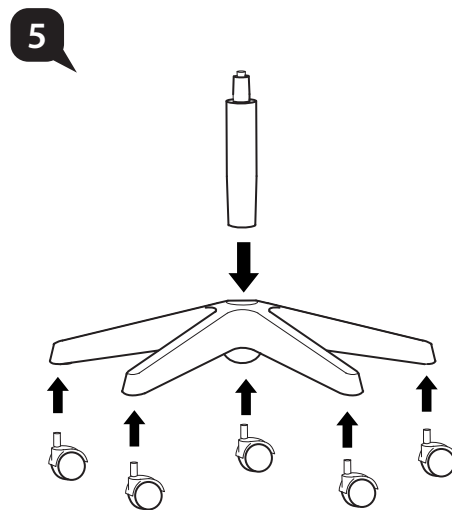
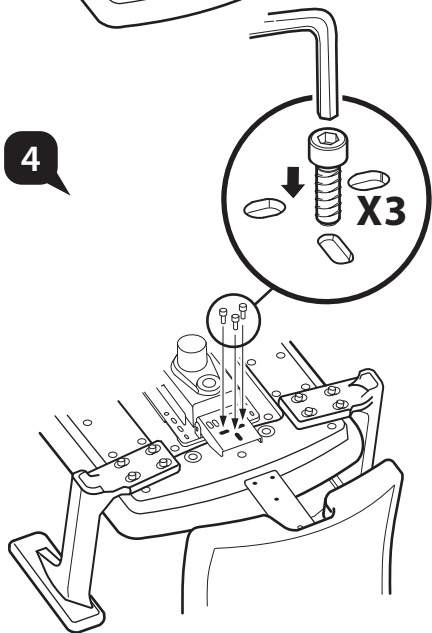
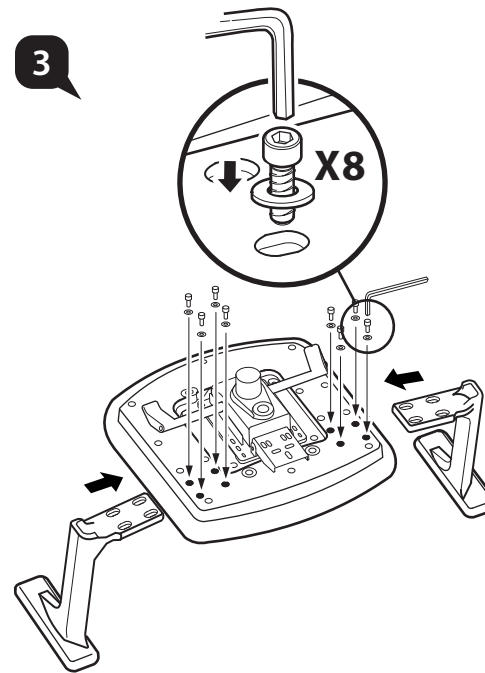
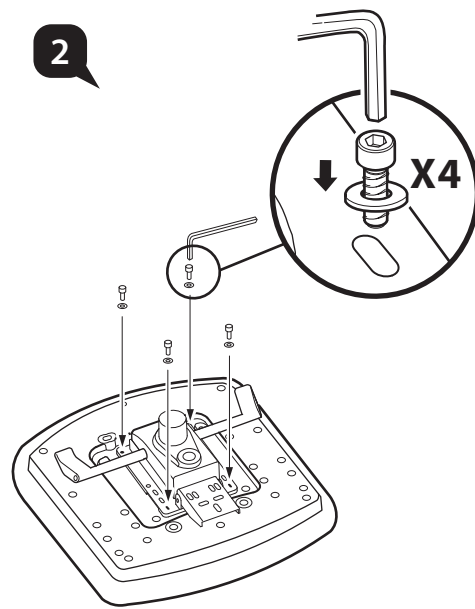
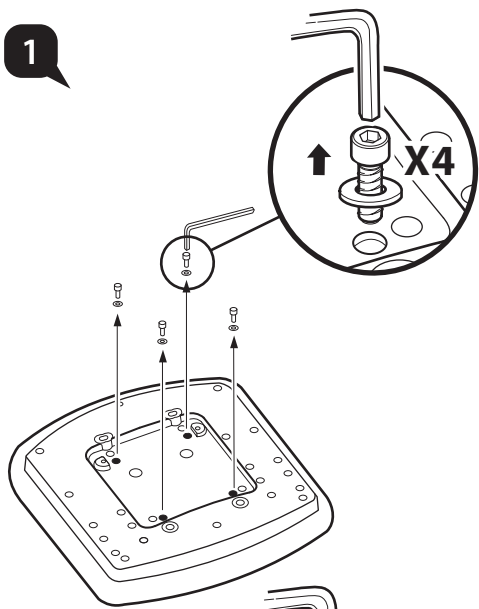
Bravo

models: 358 YC A38 N2
357 YC A38 N2



Assembly Instruction

MERRYFAIR®



Bravo

model: 359 YC A37 N2

User Instructions

MERRYFAIR®

A *Seat Height Adjustable*

Flip up lever on right-side to raise or lower set. Adjust such that your feet are adequately supported on floor.

B *Multi-Position Tilt Lock*

Recline to desired position, and flip down lever on left-side to lock. Flip up lever to release tilt-lock.

C *Tilt Tension Control*

Turn bottom knob clockwise to provide a stronger tilt tension, and vice-versa. Adjust such that minimum effort is required to push back when recline.

D *Backrest Height*

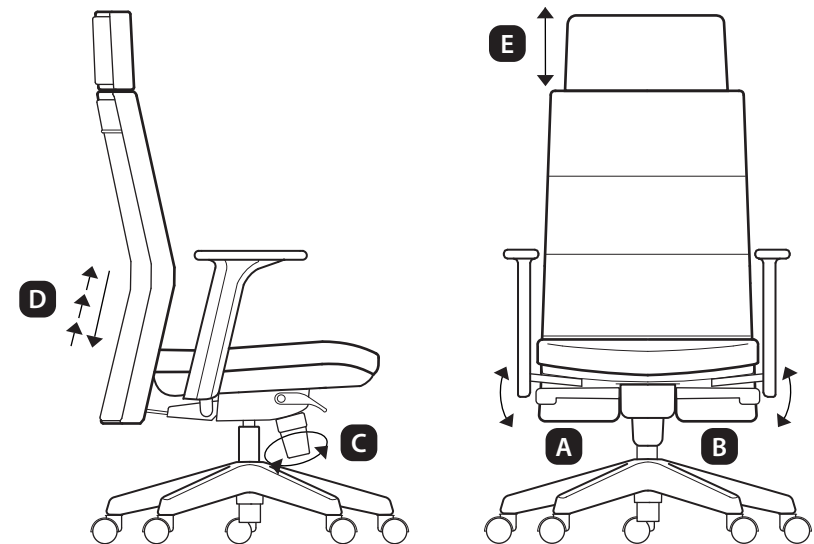
Hold backrest by both sides and pull up, one step at a time, to desired height. To lower backrest, pull it up to maximum height and then, return it to lowest to start again. Adjust height so that the backrest curvature follows the curve of your back.

E *Headrest Height*

This feature is available on 359 prefix model numbers only. Adjust height by holding both sides of headrest and pull up and down to your desired height.

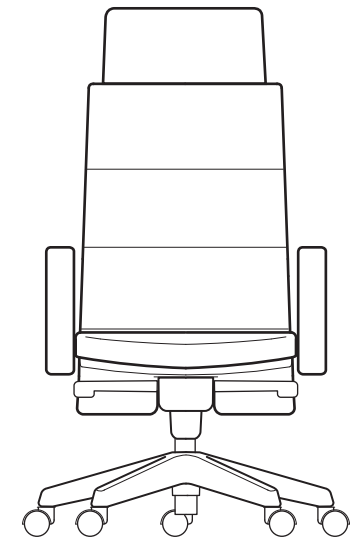
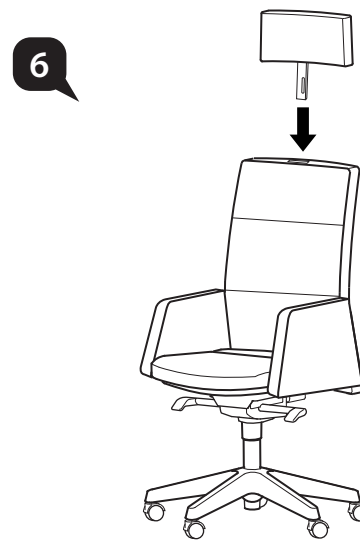
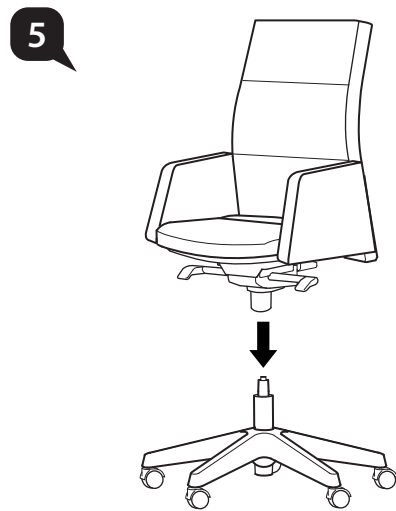
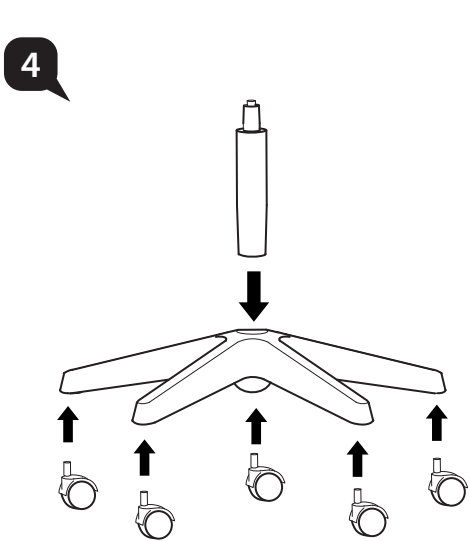
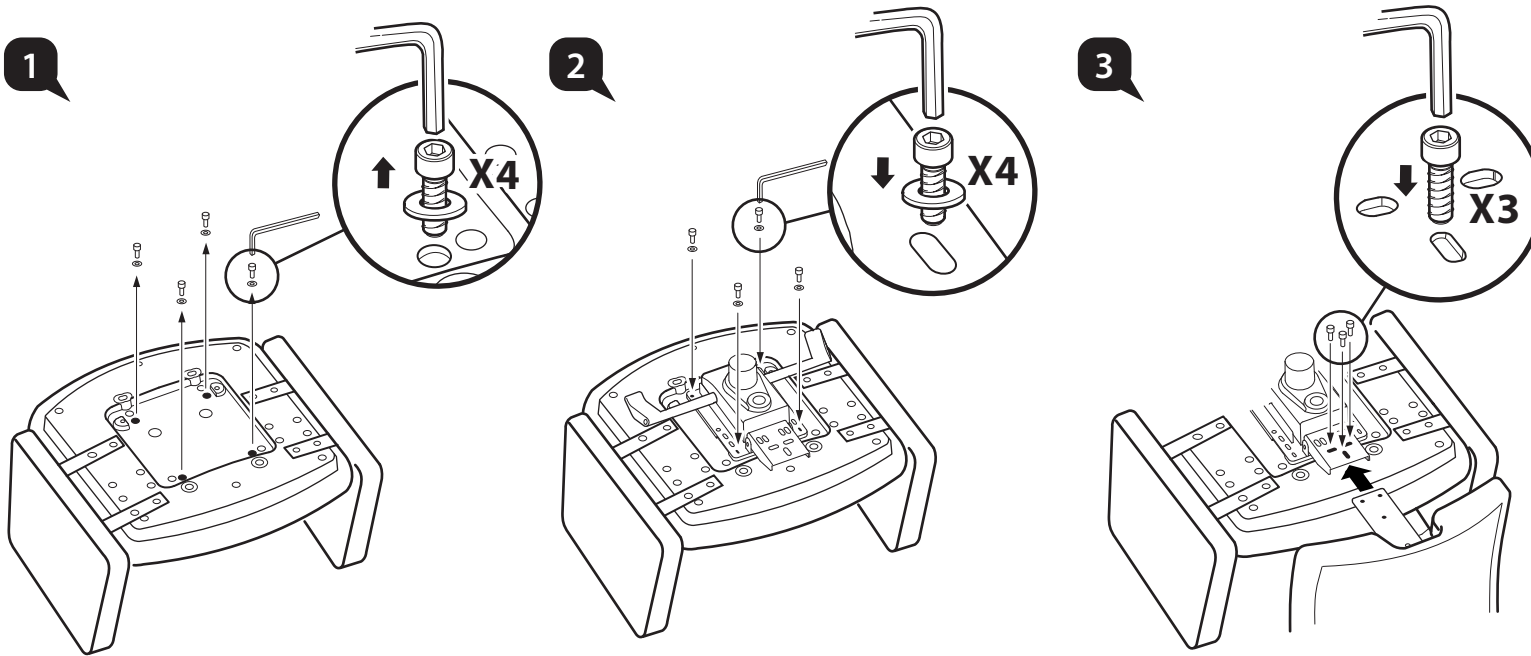
Bravo

model: 359 YC A37 N2



Assembly Instruction

MERRYFAIR®



Bravo

models: 359 YC A38 N2
359 YC A38 P

User Instructions

MERRYFAIR®

A *Seat Height Adjustable*

Flip up lever on right-side to raise or lower set. Adjust such that your feet are adequately supported on floor.

B *Multi-Position Tilt Lock*

Recline to desired position, and flip down lever on left-side to lock. Flip up lever to release tilt-lock.

C *Tilt Tension Control*

Turn bottom knob clockwise to provide a stronger tilt tension, and vice-versa. Adjust such that minimum effort is required to push back when recline.

D *Backrest Height*

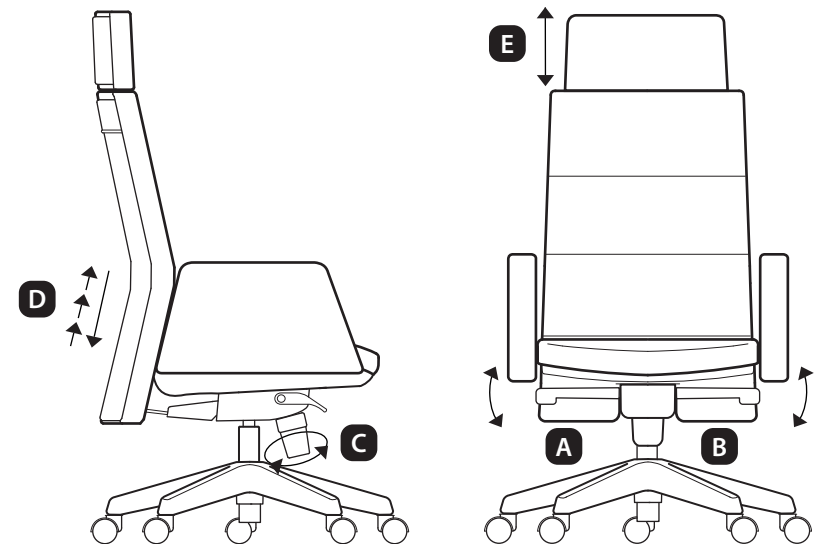
Hold backrest by both sides and pull up, one step at a time, to desired height. To lower backrest, pull it up to maximum height and then, return it to lowest to start again. Adjust height so that the backrest curvature follows the curve of your back.

E *Headrest Height*

This feature is available on 359 prefix model numbers only. Adjust height by holding both sides of headrest and pull up and down to your desired height.

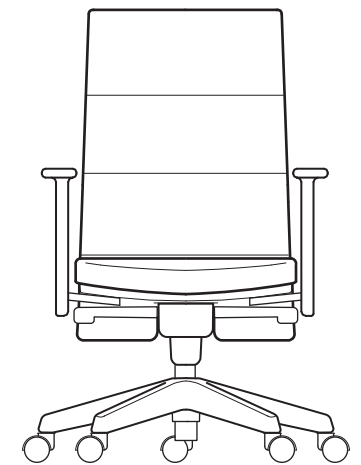
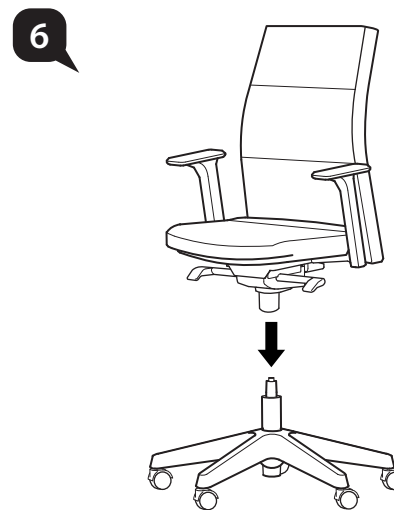
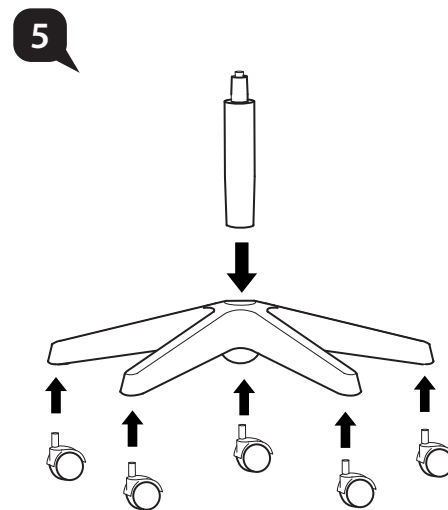
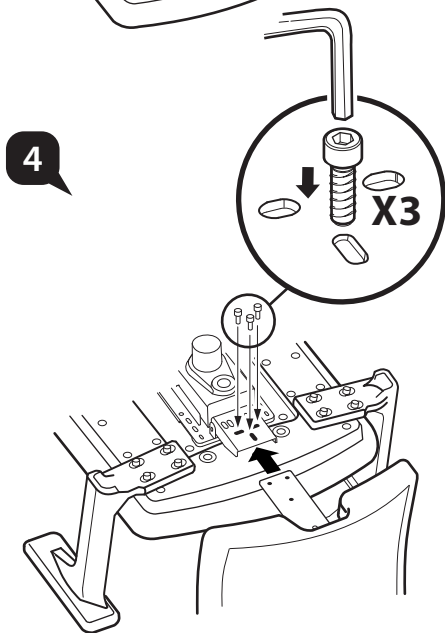
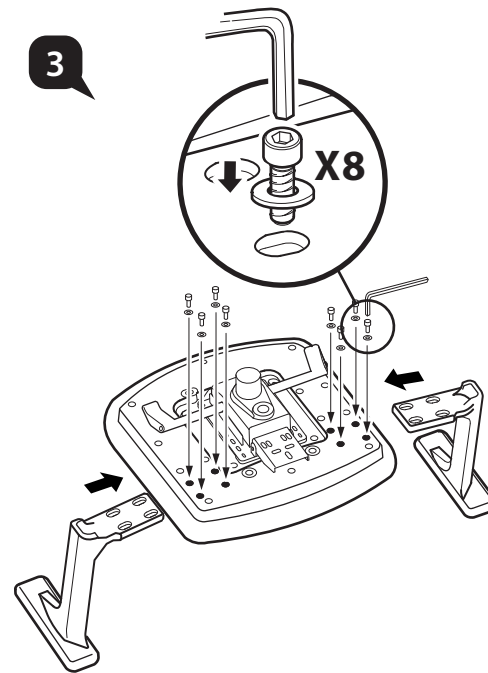
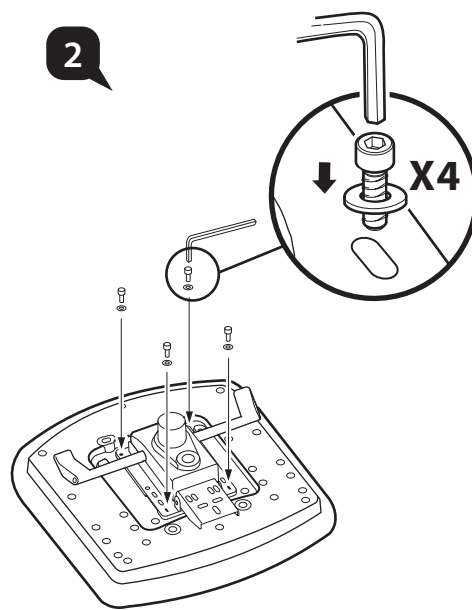
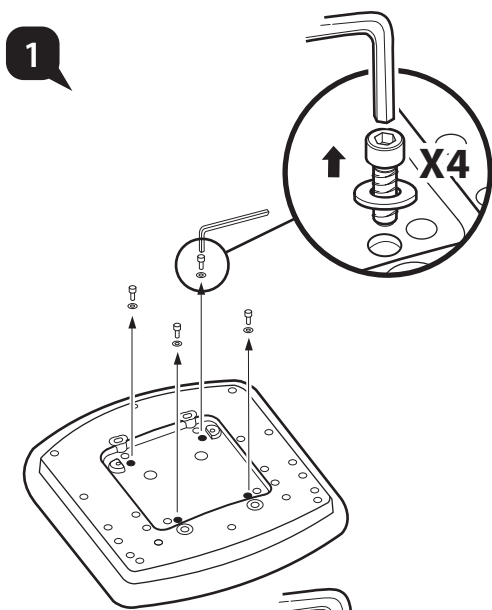
Bravo

models: 359 YC A38 N2
359 YC A38 P



Assembly Instruction

MERRYFAIR®



Bravo

models: 358 YC A37 N2
357 YC A37 N2

User Instructions

MERRYFAIR®

A *Seat Height Adjustable*

Flip up lever on right-side to raise or lower set. Adjust such that your feet are adequately supported on floor.

B *Multi-Position Tilt Lock*

Recline to desired position, and flip down lever on left-side to lock. Flip up lever to release tilt-lock.

C *Tilt Tension Control*

Turn bottom knob clockwise to provide a stronger tilt tension, and vice-versa. Adjust such that minimum effort is required to push back when recline.

D

Backrest Height

Hold backrest by both sides and pull up, one step at a time, to desired height. To lower backrest, pull it up to maximum height and then, return it to lowest to start again. Adjust height so that the backrest curvature follows the curve of your back.

Bravo

models: 358 YC A37 N2
357 YC A37 N2

